

MIRKA

Mirka® DEOS

343X, 353X, 383X & 663X



CV - models



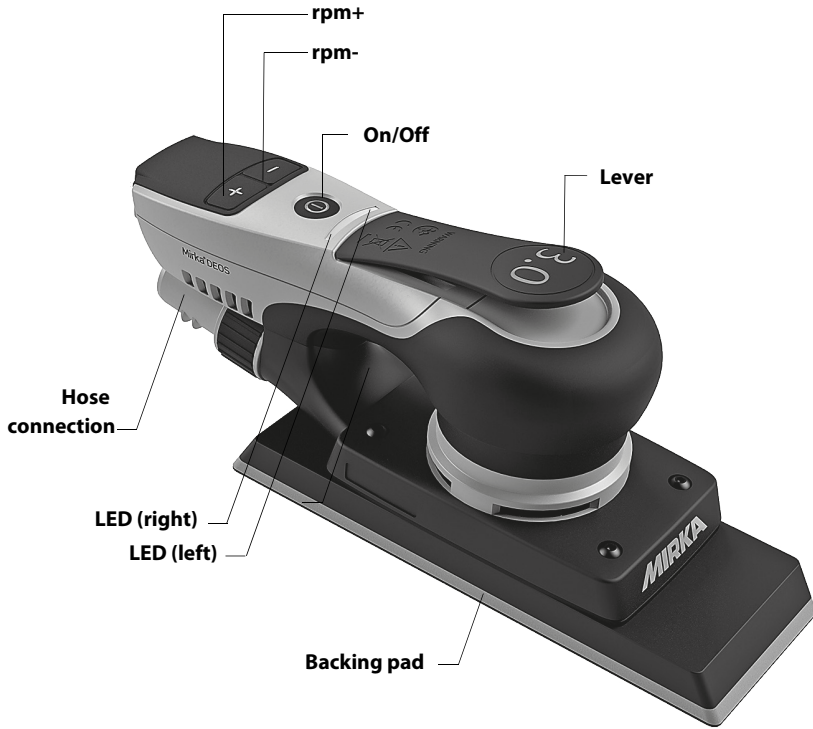
Mirka® DEOS

343X, 353X, 383X & 663X



en	Operating instructions (original).....	10
es	Instrucciones de manejo.....	17
fr	Instructions d'utilisation.....	25
pt	Instruções de operação.....	32
United Kingdom		
en UK	Operating instructions.....	39

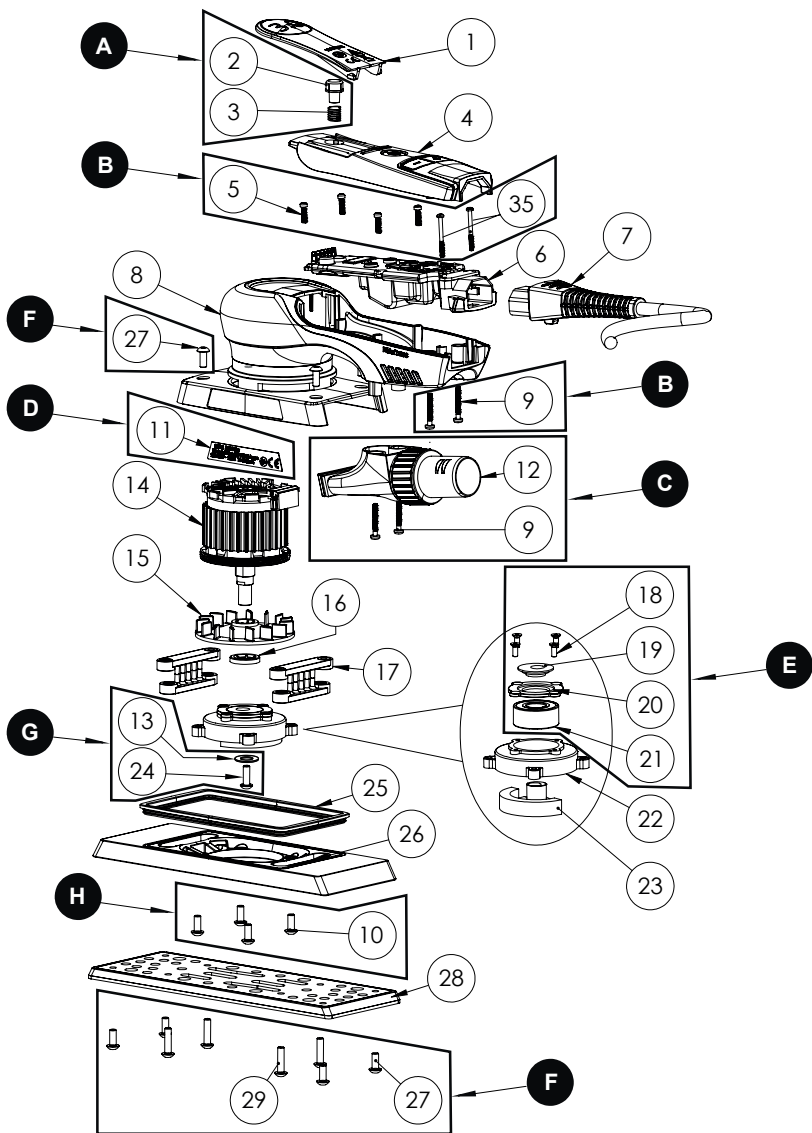
Figure 1



Backing pad	Mirka code	343X CV	353X CV	383X CV	663X CV
75 × 100 mm (3 × 4")	8292343011	x			
81 × 133 mm (3 × 5")	8292353011		x		
70 × 198 mm (3 × 8")	8292383011			x	
100 × 152 × 152 mm (4 × 6 × 6")	8292663011				x

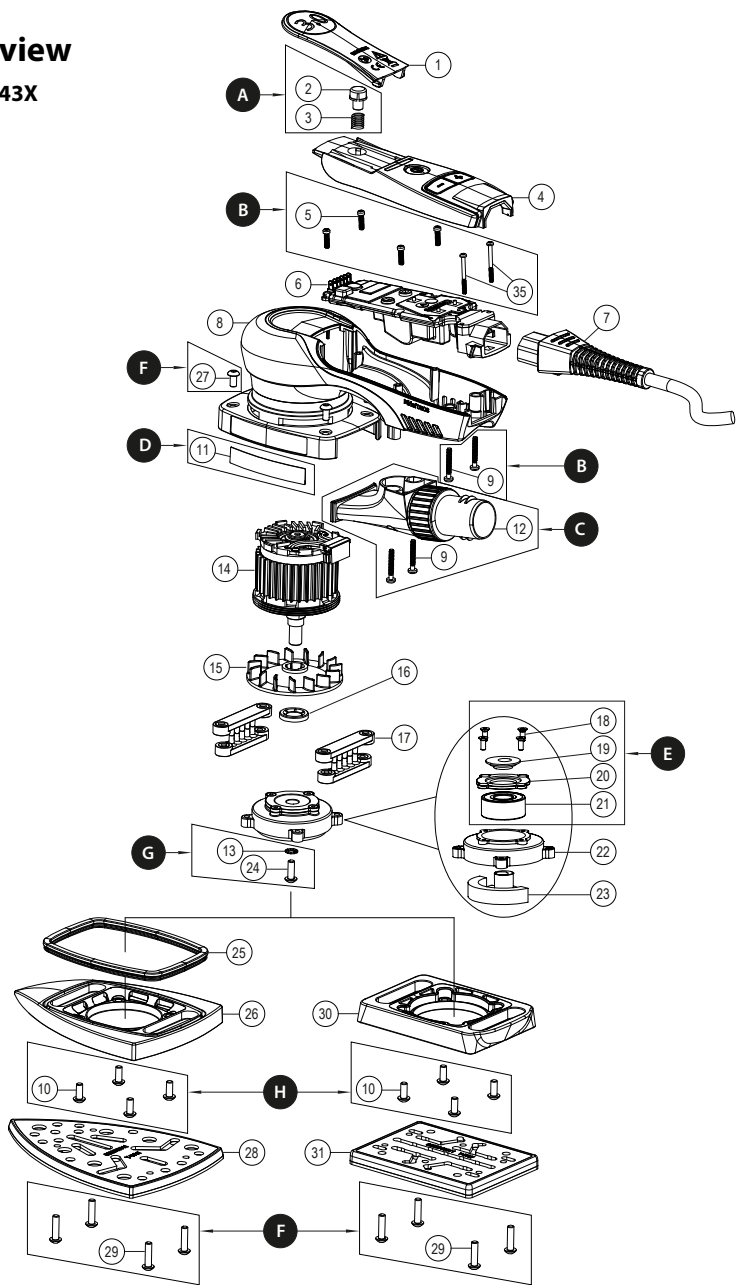
Exploded view

DEOS 353X & 383X



Exploded view

DEOS 663X & 343X



Parts list – DEOS 353X & 383X kits

Mirka code	Item	Description	Kit	Quantity	Tightening torque
MIE6520211		Start Button kit	A		
	2	Start Button		1	
	3	Start Button Spring		1	
MIE6520511		Screw kit	B		
	5	Screws		4	0,6 Nm
	9	Screws		2	1,4 Nm
	35	Screws		2	0,6 Nm
MIE3321211		Swivel Exhaust kit	C		
	9	Screws		2	1,4 Nm
	12	Swivel Exhaust Assembly		1	
MIE3321111US		Type Label kit 110 V	D		
	11	Type Label 383		10	
	11	Type Label 353		10	
MIE3321811		Bearing kit	E		
	18	Screws		4	1 Nm
	19	Dust Shield		1	
	20	Bearing Flange		1	
	21	Ball Bearing		1	
MIE3322711		Pad Screw kit	F		
	27	Screws		8	
	29	Screws		4	
MIE3322411		Balancing Housing Screw kit	G		
	13	Washer		1	
	24	Screw		1	
MIE3321011		Backing Plate Screw kit	H		
	10	Screws		4	

NOTE! Repairs done by non-authorized repairer will breach the Mirka warranty.

Electrical tools must be serviced by a qualified repair person and in accordance with national requirements.

Parts list – DEOS 353X & 383X spareparts & accessories

Mirka code	Item	Description	Kit	Quantity	Tightening torque
MIE3310111	1	Lever 3.0mm		1	
	2	Start Button	A	1	
	3	Spring	A	1	
MIE6510411	4	Cover Plate		1	
	5	Screws	B	4	
MIE6510611	6	Speed Controller 110V*		1	
MIE9017211	7	Rewireable Mains Cable 4,3m 100-120V US		1	
MIE9017311	7	Rewireable Mains Cable 4,3m 100-120V UK		1	
MIE3310811	8	Housing		1	
	9	Screws	B,C	4	
	10	Scews	H	4	
	11	Type Label 100-120 V	D	1	
	12	Swivel Exhaust Assembly	C	1	
	13	Washer	G	1	
	MIE3361411	14	Motor Assembly 110 V*		1
MIE3311511	15	Fan		1	
MIE3361611	16	Pushlock Washer 12 mm		1	
MIE3311711	17	Pad Support		2	
	18	Screws	E	4	1 Nm
MIE3311911	19	Dust Shield	E	1	
	20	Bearing Flange	E	1	
	21	Ball Bearing	E	1	
MIE3312211	22	Bearing Housing		1	
MIE3512311	23	Balancing Weight 81x133 mm		1	
MIE3812311	23	Balancing Weight 70x198 mm		1	
	24	Screw	G	1	
MIE3312511	25	Seal		1	
MIE3512611	26	Backing Plate 81x133mm		1	
MIE3812611	26	Backing Plate 70x198mm		1	
	27	Screws	F	8	
8292353011	28	Backing Pad Net 81x133mm Grip 46H Medium		1	
8292383011	28	Backing Pad Net 70x198mm Grip 48H Medium		1	
	29	Screws	F	4	
	35	Screws	B	2	

* Spare parts only available to authorized repairers.

Parts list – DEOS 663X & 343X kits

Mirka code	Item	Description	Kit	Quantity	Tightening torque
MIE6520211		Start Button kit	A		
	2	Start Button		1	
	3	Start Button Spring		1	
MIE6520511		Screw kit	B		
	5	Screws		4	0,6 Nm
	9	Screws		2	1,4 Nm
	35	Screws		2	0,6 Nm
MIE6621211		Swivel Exhaust kit	C		
	9	Screws		2	1,4 Nm
	12	Swivel Exhaust Assembly		1	
		Type Label kit 110-120V	D		
	11	Type Label 663 Delta		5	
	11	Type Label 343		5	
MIE3321811		Bearing kit	E		
	18	Screws		4	1 Nm
	19	Dust Shield		1	
	20	Bearing Flange		1	
	21	Ball Bearing		1	
MIE3322711		Pad Screw kit	F		
	27	Screws		4	
	29	Screws		4	
MIE3322411		Balancing Housing Screw kit	G		
	13	Washer		1	
	24	Screw		1	
MIE3321011		Backing Plate Screw kit	H		
	10	Screws		4	

NOTE! Repairs done by non-authorized repairer will breach the Mirka warranty.

Electrical tools must be serviced by a qualified repair person and in accordance with national requirements.

Parts list – DEOS 663X & 343X spareparts & accessories

Mirka code	Item	Description	Kit	Quantity	Tightening torque
MIE3310111	1	Lever 3.0mm		1	
	2	Start Button	A	1	
	3	Spring	A	1	
MIE6510411	4	Cover Plate		1	
	5	Screws	B	4	
MIE6560611	6	Speed Controller 110V*		1	
MIE9017211	7	Rewireable Mains Cable 4,3m 100-120V US		1	
MIE9017311	7	Rewireable Mains Cable 4,3m 100-120V UK		1	
MIE6610811	8	Housing		1	
	9	Screws	B,C	4	
	10	Scews	H	4	
	11	Type Label 100-120 V	D	1	
	12	Swivel Exhaust Assembly	C	1	
	13	Washer	G	1	
	MIE3361411	14	Motor Assembly 110 V*		1
MIE3311511	15	Fan		1	
MIE3361611	16	Pushlock Washer 12 mm		1	
MIE3311711	17	Pad Support		2	
	18	Screws	E	4	1 Nm
MIE3311911	19	Dust Shield	E	1	
	20	Bearing Flange	E	1	
	21	Ball Bearing	E	1	
MIE3312211	22	Bearing Housing		1	
MIE6612311	23	Balancing Weight 100x152x152 mm/ 75x100mm		1	
	24	Screw	G	1	
MIE6612511	25	Seal		1	
MIE6612611	26	Backing Plate 100x152x152mm		1	
	27	Screws	F	8	
8292663011	28	Backing Pad Net 100x152x152mm Grip 32H Med		1	
	29	Screws	F	4	
MIE3412611	30	Backing Plate 75x100mm		1	
8292343011	31	Backing Pad 75x100mm Grip 29h Medium		1	
	35	Screws	B	2	



* Spare parts only available to authorized repairers.

Declaration of conformity

Mirka Ltd, 66850 Jeppo, Finland

declare under our sole responsibility that the Mirka® products (listed below and see "Technical data" table for particular model) to which this declaration relates are in conformity with the following standards or other normative documents: EN 62841-1:2015, EN 62841-2-4:2014, EN 55014-1:2017/A11:2020, EN 55014-2:2015, EN 61000-3-2:2014, EN 61000-3-3:2013, EN 300 328 V2.2.2, EN 301 489-1 V2.1.1, EN 301 489-17 V3.1.1, EN IEC 63000:2018 in accordance with regulations 2006/42/EC, 2011/65/EU, 2014/53/EU.

Products: Mirka® DEOS 343X, 353X, 383X & 663X

<p><i>Jeppo 26.08.2021</i> Place and date of issue</p>	 Company	 Stefan Sjöberg, CEO	<p>Manufacturer / Supplier Mirka Ltd 66850 Jeppo, Finland Tel. +358 20 760 2111 Fax +358 20 760 2290 www.mirka.com</p>	
--	--	--	---	--

Original instructions. We reserve the right to make changes to this manual without prior notice.

Important

Read these safety and operating instructions carefully before installing, operating or maintaining this tool. Keep these instructions in a safe and accessible place. Read and comply with state and local regulations.

Required personal safety equipment



Read
operator's manual



Wear
safety glasses



Wear
ear protection



Wear
safety gloves



Wear
face mask



Warning: Potential hazardous situation that may result in death or serious injury and/or property damage.

Caution: Potential hazardous situation that may result in minor or moderate injury and/or property damage.



Intertek
4006707

CONFORMS TO UL STD 62841-1, 62841-2-4
CERTIFIED TO CAN/CSA STD
C22.2 No. 62841-1, C22.2 No. 62841-2-4

Please read and comply with

- General Industry Safety & Health Regulations, part 1910, OSHA 2206, available from: Superintendent of Documents; Government Printing Office; Washington DC 20402
- State and local regulations



General Power Tool Safety Warnings



WARNING Read all safety warnings and all instructions. Failure to follow the warnings and instructions may result in electric shock, fire and/or serious injury.

Save all warnings and instructions for future reference. The term “power tool” in the warnings refers to your mains-operated (corded) power tool or battery-operated (cordless) power tool.

1. **Work area safety**
 - a. **Keep work area clean and well lit.** Cluttered or dark areas invite accidents.
 - b. **Do not operate power tools in explosive atmospheres, such as in the presence of flammable liquids, gases or dust.** Power tools create sparks which may ignite the dust or fumes.
 - c. **Keep children and bystanders away while operating a power tool.** Distractions can cause you to lose control.
2. **Electrical safety**
 - a. **Power tool plugs must match the outlet. Never modify the plug in any way. Do not use any adapter plugs with earthed (grounded) power tools.** Unmodified plugs and matching outlets will reduce risk of electric shock.
 - b. **Avoid body contact with earthed or grounded surfaces, such as pipes, radiators, ranges and refrigerators.** There is an increased risk of electric shock if your body is earthed or grounded.
 - c. **Do not expose power tools to rain or wet conditions.** Water entering a power tool will increase the risk of electric shock.
 - d. **Do not abuse the cord. Never use the cord for carrying, pulling or unplugging the power tool. Keep cord away from heat, oil, sharp edges and moving parts.** Damaged or entangled cords increase the risk of electric shock.
 - e. **When operating a power tool outdoors, use an extension cord suitable for outdoor use.** Use of a cord suitable for outdoor use reduces the risk of electric shock.
 - f. **If operating a power tool in a damp location is unavoidable, use a residual current device (RCD) protected supply.** Use of an RCD reduces the risk of electric shock.
3. **Personal safety**
 - a. **Stay alert, watch what you are doing and use common sense when operating a power tool. Do not use a power tool while you are tired or under the influence of drugs, alcohol or medication.** A moment of inattention while operating power tools may result in serious personal injury.
 - b. **Use personal protective equipment. Always wear eye protection.** Protective equipment such as a dust mask, non-skid safety shoes, hard hat, or hearing protection used for appropriate conditions will reduce personal injuries.
 - c. **Prevent unintentional starting. Ensure the switch is in the off-position before connecting to power source and/or battery pack, picking up or carrying the tool.** Carrying power tools with your finger on the switch or plugging in tools when the switch is in the on-position invites accidents.
 - d. **Remove any adjusting key or wrench before turning the power tool on.** A wrench or a key left attached to a rotating part of the power tool may result in personal injury.
 - e. **Do not overreach. Keep proper footing and balance at all times.** This enables better control of the power tool in unexpected situations.
 - f. **Dress properly. Do not wear loose clothing or jewellery. Keep your hair, clothing and gloves away from moving parts.** Loose clothes, jewellery or long hair can be caught in moving parts.
 - g. **If devices are provided for the connection of dust extraction and collection facilities, ensure these are connected and properly used.** Use of dust collection can reduce dust-related hazards.
 - h. **Do not let familiarity gained from frequent use of tools allow you to become complacent and ignore tool safety principles.** A careless action can cause severe injury within a fraction of a second.
4. **Power tool use and care**
 - a. **Do not overload the power tool. Use the correct power tool for your application.** The correct power tool will do the job better and safer at the rate for which it was designed.
 - b. **Do not use the power tool if the switch does not turn it on and off.** Any power tool that cannot be controlled with the switch is dangerous and must be repaired.
 - c. **Disconnect the plug from the power source and/or the battery pack from the power tool before making any adjustments, changing accessories, or storing power tools.** Such preventive safety measures reduce the risk of starting the power tool accidentally.

- d. **Store idle power tools out of the reach of children and do not allow anyone who is unfamiliar with the power tool or these instructions to operate the power tool.** Power tools are dangerous in the hands of untrained users.
 - e. **Maintain power tools. Check for misalignment or binding of moving parts, breakage of parts and any other condition that may affect the power tool's operation. If damaged, have the power tool repaired before use.** Many accidents are caused by poorly maintained power tools.
 - f. **Keep cutting tools sharp and clean.** Properly maintained cutting tools with sharp cutting edges are less likely to bind and are easier to control.
 - g. **Use the power tool, accessories and tool bits etc. in accordance with these instructions, taking into account the working conditions and the work to be performed.** Use of the power tool for operations different from those intended could result in a hazardous situation.
 - h. **Keep handles and grasping surfaces dry, clean and free from oil and grease.** Slippery handles and grasping surfaces do not allow for safe handling and control of the tool in unexpected situations.
5. **Service**
- a. **Have your power tool serviced by a qualified repair person using only identical replacement parts.** This will ensure that the safety of the power tool is maintained.



Additional Safety Warnings

- The safety of the tool is granted only by using original Mirka backing pads.
- Read the Materials Safety Data Sheet (MSDS) for the work surface.
- If any physical hand/wrist discomfort is experienced, stop working and seek medical attention. Hand, wrist and arm injury may result from repetitive work, motion and overexposure to vibrations.
- The power supply socket and connector are non-IEC appliance couplers. Only use an original Mirka power supply cable. The Mirka power supply cable can be bought from your Mirka Dealer.
- Check the tool, backing pad, power cord and fittings regularly for wear.
- Clean or replace the dust extractor's collection bag daily. Dust can be highly combustible. Cleaning or replacing the bag also assures optimum performance.
- If the tool appears to malfunction, stop using it immediately and arrange for service and repair.
- Always ensure that the work piece to be sanded is firmly fixed in place.
- Keep hands clear of the spinning accessory during use.



Additional Warnings

Some dust created by power sanding, sawing, grinding, drilling, and other construction activities contains chemicals known to cause cancer, birth defects or other reproductive harm. Some examples of these chemicals are:

- lead from lead-based paints,
- crystalline silica from bricks and cement and other masonry products, and
- arsenic and chromium from chemically treated lumber.

Your risk from these exposures varies, depending on how often you do this type of work. To reduce your exposure to these chemicals: work in a well ventilated area, and work with approved safety equipment, such as those dust masks that are specially designed to filter out microscopic particles.

Technical data

DEOS	343X CV	353X CV	383X CV	663X CV
Power	250 W	250 W	250 W	250 W
Mains voltage	100 –120 VAC	100 –120 VAC	100 –120 VAC	100 –120 VAC
Speed	5,000 –10,000 rpm	5,000 –10,000 rpm	5,000 –10,000 rpm	5,000 –10,000 rpm
Orbit	3 mm (1/8")	3 mm (1/8")	3 mm (1/8")	3 mm (1/8")
Size of backing pad	75 x 100 mm (3" x 4")	81 x 133 mm (3" x 5 1/4")	70 x 198 mm (3" x 8")	100 x 152 x 152 mm (4 x 6 x 6")
Weight	0.97 kg (2.1 lbs)	0.97 kg (2.1 lbs)	1 kg (2.2 lbs)	0.97 kg (2.1 lbs)
Degree of protection	I	I	I	I

Noise and vibration information

Measured values are determined according to EN 62841.

DEOS	343X CV	353X CV	383X CV	663X CV
Sound pressure level (L_{pA})	70 dB(A)	69 dB(A)	71 dB(A)	68 dB(A)
Sound power level (L_{WA})	81 dB(A)	80 dB(A)	82 dB(A)	79 dB(A)
Sound measurement uncertainty K	3.0 dB(A)	3.0 dB(A)	3.0 dB(A)	3.0 dB(A)
Vibration emission value a_h^*	3.3 m/s ²	2.6 m/s ²	2.6 m/s ²	2.6 m/s ²
Vibration emission uncertainty K*	1.5 m/s ²	1.5 m/s ²	1.5 m/s ²	1.5 m/s ²

Specifications subject to change without prior notice. Model range may vary between markets.

* The values stated in the table are derived from laboratory testing in conformity with stated codes and standards and are not sufficient for risk evaluation. Values measured in a particular work place may be higher than the declared values. The actual exposure values and amount of risk or harm experienced by an individual are unique to each situation and depend upon the surrounding environment, the way the individual operates the machinery, the particular material being worked, work station design and the user's exposure time and physical condition. Mirka Ltd accepts no responsibility for the consequences of using declared values instead of actual exposure values for any individual risk assessment.

Further occupational health and safety information can be obtained from the following websites:

<https://osha.europa.eu/en> (Europe) or <http://www.osha.gov> (USA)

Proper use of tool

This sander is designed for sanding all types of materials, i.e. metals, wood, stone, plastics, etc. using abrasives designed for this purpose. Do not use this sander for any other purpose than that specified without consulting the manufacturer or the manufacturer's authorized supplier. Only use original Mirka backing pads that are designed for optimal performance. Other backing pads may reduce performance and will increase vibration. The cooling air vents on the housing must be kept clean and free of blockages to ensure air circulation. Any maintenance or repair work may only be carried out by an authorized service center.

Work stations

The tool is intended to be operated as a hand-held tool. It is always recommended that the tool should be used when standing on a solid floor. It can be in any position but before any such use, the operator must be in a secure position, having a firm grip and footing and be aware that the tool can develop a torque reaction. See the section "Operating instructions".

How to get started

When unpacking the tool, make sure it is intact, complete and has not been damaged in transport. Never use a damaged tool.

Before use, check that the backing pad is correctly attached and tightened. Connect the power cord to the tool. Connect the power cord to a grounded outlet (110 – VAC, 50–60Hz).

In order to get the maximum power from this tool it is recommended to use it with the Mirka dust extractor (or other suitable dust extraction unit) and Mirka net sanding products. The combination of Mirka sanders, Mirka net sanding products and Mirka dust extractor are the basis of Mirka dust-free sanding solutions.

The power cord from the tool is connected to the mains supply of the dust extractor. By connecting the tool's power cord to the outlet on the dust extractor it is possible to use the dust extractor's autostart function.

Operating instructions

- The tool is intended to be operated as a hand held tool. The tool can be used in any position. Note! The sander can develop a torque reaction when started.

- Make sure the sander is switched off. Select a suitable abrasive and secure it to the backing pad. Make sure the abrasive is centred on the backing pad. For optimal performance we recommend a Mirka backing pad and Mirka Net Sanding product.
- Switch on the sander by pressing the On/Off key, Figure 1. The sander LED (right) is now green.
- The sander can now be started by pressing the lever.
- The speed can be adjusted between 5,000 rpm and max by adjusting the position of the lever.
- The max rpm can be adjusted by pressing rpm+ or rpm–, Figure 1. The rpm can be adjusted in steps 5 000, 6 000, 7 000, 7 500, 8 000, 9 000 and 10 000 rpm.
- The tool has two speed control modes. In the default mode the speed can be adjusted linearly by changing the position of the lever. In the other mode the speed remains fixed at the set max rpm when the tool is running. When the rpm+ and rpm– buttons are pressed simultaneously the tool toggles between the two controlling modes.
- When sanding, always place the tool on the work surface before starting the tool. Always remove the tool from the work surface before stopping it.
- When sanding is finished, turn off the sander by pressing the On/Off key. The sander LED (right) is now turned off.

Bluetooth

This tool is equipped with Bluetooth® low energy technology and can be connected to an app from which additional tool functionality can be accessed. For more information on the app functionality and if it is available in your country, go to www.mirka.com/mymirka

Activate Bluetooth on your Mirka® DEOS as follows:

1. Connect the power cord to mains outlet.
2. Press and hold the Speed+ button while switching the tool on with the On/Off button.
3. Left LED lights up (green), to indicate that Bluetooth is active.
4. Bluetooth is deactivated when the tool is disconnected from mains outlet.

NOTE! If the app is not installed or if it is not available in your country, Bluetooth shall not be activated.

The Bluetooth® word mark and logos are registered trademarks owned by the Bluetooth SIG, Inc. and any use of such marks by Mirka Ltd is under license. Other trademarks and trade names are those of their respective owners.

FCC Rules & Industry Canada's licence-exempt RSS

Compliance with the radio regulations in North America has been verified in accordance with FCC Part 15 subpart B and C, RSS-GEN, RSS-247 and FCC §15.247. Operation is subject to the following two conditions:

1. This device may not cause harmful interference.
2. This device must accept any interference received, including interference that may cause undesired operation.

NOTE! This equipment has been tested and found to comply with the limits for a Class B digital device, pursuant to part 15 of the FCC Rules. These limits are designed to provide reasonable protection against harmful interference in a residential installation. This equipment generates, uses and can radiate radio frequency energy and, if not installed and used in accordance with the instructions, may cause harmful interference to radio communications.

However, there is no guarantee that interference will not occur in a particular installation. If this equipment does cause harmful interference to radio or television reception, which can be determined by turning the equipment off and on, the user is encouraged to try to correct the interference by one or more of the following measures:

- Reorient or relocate the receiving antenna.
- Increase the separation between the equipment and receiver.
- Connect the equipment into an outlet on a circuit different from that to which the receiver is connected.
- Consult the dealer or an experienced radio/TV technician for help.

CAUTION TO THE USER: Changes or modification not expressly approved by the party responsible for compliance could void the user's authority to operate the equipment.

Maintenance



Always disconnect the power before maintenance!
Only use original Mirka spare parts!

Replacing the backing pad

A = 8 mm (only on 70 × 198 mm)

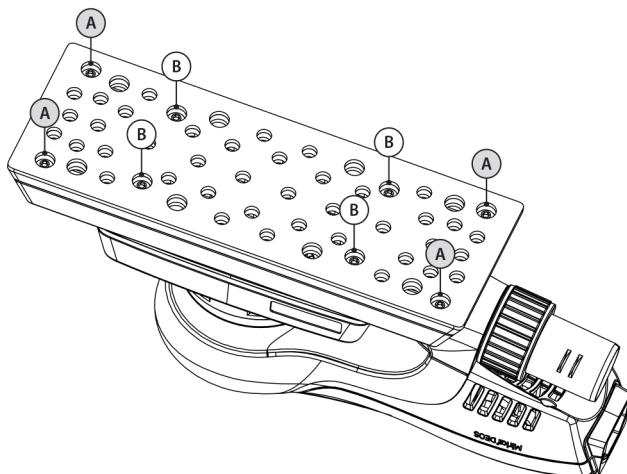
B = 16 mm

Remove

1. Turn the tool upside down.
2. Remove the 4 screws (A).
3. Remove the 4 screws (B).
4. Remove the backing pad.

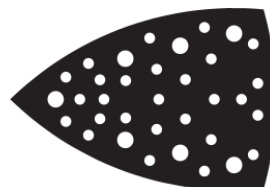
Install

1. Fit the new pad.
2. Fit the 4 screws (B).
3. Fit the 4 screws (A).
4. Finally tighten all screws.



Pad saver

Mirka's pad savers are designed to protect the backing pad from wear and tear, when sanding aggressively and continuously with net products. These cost effective pad savers, placed between the backing pad and the sanding disc, should be changed regularly. The pad savers prolong the life of the backing pad.



<https://www.mirka.com/accessories/pad-savers/>



Further service

Servicing must always be performed by trained personnel. To keep the tool warranty valid and ensure optimal tool safety and function, servicing must be carried out by a Mirka authorized service centre. To locate your local Mirka authorized service centre, contact Mirka Customer Service or your Mirka dealer.

Troubleshooting guide

Symptom	Possible cause	Solution
The sander LED (right) flashes between red and green.	Connected to a mains outlet with wrong voltage.	Connect the sander to a mains outlet that correspond with the nominal voltage of the tool.
No light from Sander LED (right) when switched on.	Power cord not properly attached to the sander or to the mains socket.	Connect it properly.

Symptom	Possible cause	Solution
The sander LED (right) is red and the sander slows down to 5,000 rpm when sanding.	Temperature too high in the sander. Too heavy long term load.	Reduce the load on the sander for some time and the sander will speed up again.
The sander LED (right) is red and rpm is slightly reduced.	Too heavy short term load.	Use lighter load and the LED (right) will automatically change to green.
Brake seal does not work. (Not applicable for DEOS 343)	Worn out brake seal or damaged spindle bearing.	Check and replace brake seal or spindle bearing if necessary.
The sander has stopped and LED (right) is red.	The tool is in safety mode due to high temperature.	Wait until the tool has cooled down.

Disposal information

DANGER



Render redundant power tools unusable by removing the power cord.

Observe applicable country-specific regulations regarding disposal and recycling of disused machines, packaging and accessories.

EU only: Do not dispose electric power tools in house-hold waste. According to European Directives on waste electrical and electronic equipment and its implementation under national law, electric tools that have reached the end of their life must be collected separately and taken to an environmentally compatible recycling facility.




For more information regarding REACH, RoHS and our corporate social responsibility visit www.mirka.com

Declaración de conformidad

Mirka Ltd, 66850 Jepua, Finlandia

declara bajo su única responsabilidad que los productos Mirka® (enumerados a continuación, ver la tabla «Datos técnicos» para el modelo correspondiente) a los que se refiere esta declaración son conformes a las siguientes normativas u otros documentos reglamentarios: EN 62841-1:2015, EN 62841-2-4:2014, EN 55014-1:2017/A11:2020, EN 55014-2:2015, EN 61000-3-2:2014, EN 61000-3-3:2013, EN 300 328 V2.2.2, EN 301 489-1 V2.1.1, EN 301 489-17 V3.1.1, EN IEC 63000:2018 conforme a las normativas 2006/42/CE, 2011/65/UE y 2014/53/UE.

Productos: Mirka® DEOS 343X, 353X, 383X & 663X

<p>Jepua 26-08-2021 Lugar y fecha de emisión</p>	 Compañía	 Stefan Sjöberg, CEO	<p>Fabricante / Proveedor Mirka Ltd 66850 Jepua, Finlandia Tfno +358 20 760 2111 Fax +358 20 760 2290 www.mirka.com</p>	
--	---	--	--	--

Traducción de las instrucciones originales Nos reservamos el derecho a efectuar cambios en este manual sin previa notificación

Importante

Lea atentamente las instrucciones de seguridad y operación antes de instalar, operar o realizar el mantenimiento de esta herramienta. Guarde estas instrucciones en un lugar seguro y accesible. Lea y cumpla con las normativas estatales y locales.

Equipo de Seguridad Personal Necesario



Lea el manual
del operador



Gafas de
seguridad



Protección
auditiva



Guantes de
seguridad



Máscara



Aviso: Indica una situación potencialmente peligrosa la cual, si no se evita, podría causar la muerte, lesiones graves y/o daños a la propiedad

Aviso: Indica una situación potencialmente peligrosa la cual, si no se evita, podría causar lesiones leves o moderadas y/o daños a la propiedad



CONFORME A UL STD 62841-1, 62841-2-4
CERTIFICADO CONFORME A CAN/CSA STD
C22.2 N.º 62841-1, C22.2 N.º 62841-2-4

Por favor lea y atégase a lo siguiente:

- General Industry Safety & Health Regulations, part 1910, OSHA 2206, available from: Superintendent of Documents; Government Printing Office; Washington DC 20402
- Normas estatales y locales



Advertencias generales de seguridad sobre herramientas eléctricas



AVISO Lea todos los avisos e instrucciones de seguridad. En caso de no seguirse los avisos e instrucciones, podrían producirse descargas eléctricas, incendios y/o lesiones graves.

Guarde todos los avisos e instrucciones como referencia para el futuro. El término «herramienta eléctrica» de los avisos se refiere a su herramienta eléctrica conectada a la corriente (con cable) o de funcionamiento con batería (sin cable).

1. Seguridad del área de trabajo

- Mantenga la zona de trabajo limpia y bien iluminada.** Las zonas oscuras o con acumulación de objetos son más propensas a accidentes.
- No utilice herramientas eléctricas en ambientes inflamables; por ejemplo, en presencia de líquidos inflamables, gases o polvo.** Las herramientas eléctricas provocan chispas que pueden inflamar el polvo o gases.
- Mantenga a los niños y personas circundantes alejados mientras maneja la herramienta eléctrica.** Las distracciones podrían hacerle perder el control de la herramienta.

2. Seguridad eléctrica

- Los enchufes de la herramienta eléctrica deben coincidir con la toma de corriente. No modifique el enchufe bajo ningún concepto. No utilice adaptadores en herramientas eléctricas con toma de tierra.** Los enchufes sin modificar y sus salidas correspondientes reducen el riesgo de descargas eléctricas.
- Evite todo contacto físico con superficies con toma de tierra, tales como tuberías, radiadores, hornillos de cocina y frigoríficos.** Si su cuerpo está haciendo contacto con tierra, el riesgo de descarga eléctrica será mayor.
- No exponga las herramientas eléctricas a la lluvia ni a condiciones de humedad.** Si entra agua en una herramienta eléctrica, aumentará el riesgo de descargas eléctricas.
- No maltrate el cable. Nunca utilice el cable para tirar de la herramienta eléctrica, transportarla o desenchufarla.** Mantenga el cable alejado del calor, el aceite, cantos afilados y piezas móviles. Los cables dañados o enredados pueden aumentar el riesgo de descargas eléctricas.
- Si va a operar una herramienta eléctrica al aire libre, utilice un cable alargador apto para uso en exteriores.** El uso de un cable adecuado para uso en exteriores reducirá el riesgo de descargas eléctricas.
- Si inevitablemente debe usar una herramienta eléctrica en un lugar húmedo, utilice una fuente de alimentación con dispositivo de corriente residual (RCD).** El uso de un RCD reducirá el riesgo de descargas eléctricas.

3. Seguridad personal

- Cuando utilice una herramienta eléctrica debe prestar mucha atención, fijarse en lo que hace y usar el sentido común. No utilice una herramienta eléctrica si está cansado/a o si se halla bajo los efectos de drogas, alcohol o medicamentos.** Un momento de descuido durante el uso de la herramienta eléctrica puede bastar para que el usuario sufra graves lesiones.
- Utilice equipo de protección personal. Lleve siempre protección ocular.** El uso de equipo de protección en condiciones apropiadas, ya sea una mascarilla antipolvo, calzado de seguridad antideslizante, casco duro o protección auditiva, reducirá el riesgo de lesiones.
- Procure no encender la herramienta sin querer. Asegúrese de que el interruptor esté en posición de apagado antes de conectarla a la fuente de alimentación y/o al cargador de batería, levantando o transportando para ello la herramienta.** Transportar herramientas eléctricas con el dedo en el interruptor, o enchufar herramientas cuando el interruptor está en posición de encendido, puede provocar accidentes.
- Antes de encender la herramienta eléctrica, retire cualquier llave inglesa o llave de ajuste que haya colocado en ella.** Si deja una llave inglesa o de otro tipo colocada en una pieza giratoria de la herramienta eléctrica, podría causar daños físicos.
- No se exceda en sus movimientos. Mantenga el equilibrio y una posición firme de los pies en todo momento.** Esto permitirá un mayor control de la herramienta eléctrica en situaciones inesperadas.
- Vaya vestido adecuadamente. No use ropa holgada ni joyas. Asegúrese de que su pelo, ropa y guantes estén alejados de las piezas móviles.** La ropa holgada, las joyas o el pelo largo pueden quedar atrapados en las piezas móviles.
- Si se le han proporcionado dispositivos para la conexión de elementos de extracción y recogida de polvo, asegúrese de que se conecten y se utilicen debidamente.** El uso de recogida de polvo puede reducir riesgos relacionados con el polvo.

- h. **No deje que la familiaridad provocada por el uso frecuente de herramientas le permita relajarse e ignorar los principios de seguridad de las herramientas.** Un descuido puede causar lesiones graves en cuestión de décimas de segundo.

4. **Uso y cuidado de una herramienta eléctrica**

- a. **No sobrecargue la herramienta eléctrica. Uso de la herramienta eléctrica adecuada para su aplicación.** Una herramienta eléctrica adecuada funcionará mejor, de forma más segura y al ritmo para el cual haya sido diseñada.
- b. **No utilice la herramienta eléctrica si el interruptor no consigue apagarla y encenderla.** Una herramienta eléctrica que no pueda ser controlada con el interruptor es peligrosa y, por tanto, debe ser reparada.
- c. **Desconecte el enchufe de la fuente de alimentación y/o la batería de la herramienta antes de realizar cualquier ajuste, cambiar los accesorios o almacenar herramientas eléctricas.** Dichas medidas de seguridad preventivas reducirán el riesgo de encender accidentalmente la herramienta eléctrica.
- d. **Guarde las herramientas eléctricas fuera del alcance de niños, y no deje que opere la herramienta nadie que no esté familiarizado con ella o con estas instrucciones.** Las herramientas eléctricas pueden ser peligrosas en manos de usuarios no preparados.
- e. **Mantenimiento de las herramientas eléctricas. Compruebe que no haya piezas móviles mal alineadas, enganchadas o rotas, o en cualquier estado que pueda afectar al funcionamiento de la herramienta eléctrica. En caso de daños, repare la herramienta eléctrica antes de usarla.** Muchos accidentes son producto del mal mantenimiento de las herramientas eléctricas.
- f. **Conserve sus herramientas de corte bien limpias y afiladas.** Unas herramientas de corte bien conservadas, con cantos afilados, serán menos propensas a engancharse y más fáciles de controlar.
- g. **Utilice la herramienta eléctrica, los accesorios y piezas etc. conforme a estas instrucciones, teniendo en cuenta las condiciones de funcionamiento y el trabajo que se vaya a realizar.** El uso de la herramienta eléctrica para operaciones distintas a las previstas puede dar lugar a situaciones peligrosas.
- h. **Conserve las manillas y superficies de agarre secas, limpias y libres de aceite y grasa.** Las manillas resbaladizas y las superficies de agarre impiden el manejo seguro y el control de la herramienta en situaciones imprevistas.

5. **Reparaciones**

- a. **Asegúrese de que su herramienta eléctrica sea reparada por un profesional cualificado de reparaciones que emplee únicamente piezas de repuesto idénticas.** De este modo garantizará la seguridad de la herramienta eléctrica.



Advertencias de seguridad adicionales

- Solo el uso de platos de soporte originales de Mirka puede garantizar la seguridad de la herramienta.
- Lea la Hoja de Datos de Seguridad de Materiales (MSDS) en relación a la superficie de trabajo
- En caso de cualquier daño físico en la mano/muñeca, deje de trabajar y busque atención médica. Las lesiones en la mano, la muñeca y el brazo pueden derivar de un trabajo con movimientos repetitivos o de una exposición excesiva a las vibraciones
- El enchufe de la fuente de alimentación y el conector son acopladores no compatibles con la IEC. Utilice solamente un cable de fuente de alimentación original de Mirka. Puede adquirir el cable de fuente de alimentación de Mirka de su distribuidor de Mirka
- Verifique periódicamente el desgaste de la herramienta, el plato de soporte, el cable de alimentación y los accesorios
- Se debe limpiar o reemplazar la bolsa de recolección de polvo del extractor diariamente. El polvo puede ser altamente combustible. La limpieza o el cambio de la bolsa aseguran también un rendimiento óptimo
- Si la herramienta pareciera estar funcionando mal, deje de usarla de inmediato y llévela a reparar
- Asegúrese siempre de que la superficie de trabajo que va a lijar está firmemente sujeta en su lugar
- Mantenga las manos alejadas del plato giratorio cuando esté en funcionamiento.



Advertencias adicionales

Algunos polvos generados por el lijado, aserrado, amolado o taladrado con herramientas eléctricas y otras actividades de construcción contienen sustancias químicas que se sabe que causan cáncer, defectos de nacimiento y otros daños sobre la reproducción. Algunos ejemplos de estas sustancias químicas son:

- plomo procedente de pinturas a base de plomo,
- sílice cristalina procedente de ladrillos y cemento, así como de otros productos de mampostería, y
- arsénico y cromo procedentes de madera de construcción tratada químicamente.

El riesgo para usted por estas exposiciones varía, dependiendo de qué tan a menudo haga este tipo de trabajo. Para reducir su exposición a estas sustancias químicas: trabaje en un área bien ventilada y trabaje con equipo de seguridad aprobado, como por ejemplo las máscaras antipolvo que están diseñadas especialmente para impedir mediante filtración el paso de partículas microscópicas.

Datos técnicos

DEOS	343X CV	353X CV	383X CV	663X CV
Alimentación	250 W	250 W	250 W	250 W
Tensión de red	100–120 VAC	100–120 VAC	100–120 VAC	100–120 VAC
Velocidad	5.000–10.000 R.P.M.	5.000–10.000 R.P.M.	5.000–10.000 R.P.M.	5.000–10.000 R.P.M.
Órbita	3 mm	3 mm	3 mm	3 mm
Tamaño del plato de soporte	75 x 100 mm	81 x 133 mm	70 x 198 mm	100 x 152 x 152 mm
Peso	0.97 kg	0.97 kg	1 kg	0.97 kg
Grado de protección	I	I	I	I

Información sobre ruido y vibración

Los valores medidos se determinan en base a EN 62841.

DEOS	343X CV	353X CV	383X CV	663X CV
Nivel de presión del sonido (L_{pA})	70 dB(A)	69 dB(A)	71 dB(A)	68 dB(A)
Nivel de potencia del sonido (L_{WA})	81 dB(A)	80 dB(A)	82 dB(A)	79 dB(A)
Incertidumbre sobre la medición del sonido K	3.0 dB(A)	3.0 dB(A)	3.0 dB(A)	3.0 dB(A)
Valor de emisión de la vibración a_h^*	3.3 m/s^2	2.6 m/s^2	2.6 m/s^2	2.6 m/s^2
Factor de incertidumbre en la emisión de la vibración K *	1.5 m/s^2	1.5 m/s^2	1.5 m/s^2	1.5 m/s^2

Las especificaciones pueden estar sujetas a cambio sin previo aviso La gama de modelos puede variar de un mercado a otro

* Los valores indicados en la tabla son de las pruebas de laboratorio, de conformidad con los códigos y estándares establecidos, y no son suficientes para la evaluación de riesgos Los valores medidos en una zona de trabajo determinada pueden ser más altos que los declarados Los valores reales de exposición y la cantidad de riesgo o daño sufrido por un individuo son únicos para cada situación y dependen de su entorno, la forma en que el individuo trabaja, el material en concreto en que se trabaja, el diseño del puesto de trabajo y el tiempo de exposición y la condición física del usuario Mirka Ltd no se hace responsable de las consecuencias del uso de los valores declarados en lugar de los valores reales de exposición para cualquier evaluación del riesgo individual.

Se puede obtener más información sobre riesgos y seguridad laborales en las siguientes páginas web:

<https://osha.europa.eu/en> (Europe) o <http://www.osha.gov> (USA)

Uso correcto de la herramienta

Esta herramienta ha sido diseñada para ser utilizada con todo tipo de materiales, es decir, metales, madera, piedra, plásticos, etc. utilizando abrasivos diseñados para este propósito. No utilice esta lijadora para ningún propósito que no esté entre aquellos especificados sin consultar antes con el fabricante o el proveedor autorizado del fabricante. Utilice solo platos de soporte originales de Mirka que hayan sido diseñados para un rendimiento óptimo. Otros platos de soporte pueden reducir el rendimiento y aumentar las vibraciones. Las ranuras de ventilación de la carcasa deben estar siempre libres de obstrucciones y limpias para asegurar la circulación del aire. Las tareas de mantenimiento o reparación solo se podrán llevar a cabo en un centro de reparaciones autorizado.

Superficies de trabajo

La herramienta ha sido diseñada para su uso como herramienta manual. Siempre recomendamos que se utilice la herramienta sobre un suelo resistente. Puede utilizarse en cualquier posición, pero antes de dicho uso, el usuario debe estar en una posición segura, con una sujeción firme y los pies sobre un suelo estable, siendo consciente de que la herramienta puede desarrollar una reacción de par. Véase la sección «Instrucciones de manejo».

Cómo arrancar

Al desembalar la herramienta, asegúrese de que está intacta, completa y de que no ha sido dañada durante el transporte. No utilice nunca una herramienta dañada.

Antes de utilizarlo, compruebe que el plato de soporte esté correctamente fijado y bien sujeto. Conecte el cable de alimentación a la herramienta. Conecte el cable de alimentación a una salida con toma de tierra (110 – VAC, 50–60Hz).

Para obtener la máxima potencia de esta herramienta se recomienda utilizarla con el extractor de polvo de Mirka (u otra unidad de extracción de polvo adecuada) y con productos de lijado de malla de Mirka. La combinación de lijadoras y productos de lijado de malla de Mirka con el extractor de polvo de Mirka es la base de las soluciones de lijado libre de polvo de Mirka.

El cable de alimentación de la herramienta se conecta a la toma de corriente del extractor de polvo. Al conectar el cable de alimentación de la herramienta a la salida del extractor de polvo, es posible utilizar la función de autoencendido del extractor de polvo.

Instrucciones de manejo

- La herramienta está diseñada para su uso manual. La herramienta se puede utilizar en cualquier posición. Aviso: La lijadora puede desarrollar una reacción de par en el momento del encendido.
- Asegúrese de que la lijadora está apagada. Seleccione un abrasivo adecuado y fíjelo bien sobre la almohadilla de apoyo. Asegúrese de que el abrasivo está centrado sobre el plato de apoyo. Para un rendimiento óptimo, recomendamos un plato de soporte de Mirka y un producto de lijado de malla de Mirka.
- Encienda la lijadora pulsando el botón On/Off, figura 1. El LED (a la derecha) de la lijadora emitirá una luz verde.
- La lijadora está lista para ponerse en marcha accionando la palanca.
- La velocidad se puede ajustar entre 5000 R.P.M. y el máximo ajustando la posición de la palanca.
- El máximo de R.P.M. se puede ajustar pulsando R.P.M.+ o R.P.M.–, figura 1. Las R.P.M. se pueden ajustar en pasos de 5000, 6000, 7000, 7500, 8000, 9000 y 10 000 R.P.M.
- La herramienta tiene dos modos de control de velocidad. Por defecto, la velocidad se puede ajustar de forma lineal cambiando la posición de la palanca. En el otro modo, la velocidad sigue fija en el máximo de R.P.M. fijados cuando la herramienta está en funcionamiento. Cuando se pulsán simultáneamente los botones de R.P.M.+ y R.P.M.–, la herramienta oscila entre los dos modos de control.
- Para el lijado, coloque siempre la herramienta sobre la superficie de trabajo antes de encender la herramienta. Retire siempre la herramienta de la superficie de trabajo antes de detenerla.
- Una vez terminado el lijado, apague la lijadora pulsando el botón de On/Off. El LED (a la derecha) de la lijadora quedará apagado.

Bluetooth

Esta herramienta viene equipada con tecnología Bluetooth® de bajo consumo y se puede conectar a una app desde la cual se accede a otras funciones adicionales de la herramienta. Para más información sobre las funciones de la app y su disponibilidad en su país, visite www.mirka.com/mymirka.

Para activar Bluetooth en su Mirka® DEOS, siga estos pasos:

1. Conecte el cable de alimentación a la toma de corriente.
2. Presione y mantenga pulsado el botón Speed+ mientras enciende la herramienta con el botón On/Off.
3. Las luces led de la izquierda se encenderán (en verde) para indicar que Bluetooth está activo.
4. Si la herramienta se desconecta de la toma de corriente, se desactivará el Bluetooth.

AVISO! Si la app no está instalada o no está disponible en su país, no podrá activarse el Bluetooth.

La marca nominativa y los logos de Bluetooth® son marcas registradas que pertenecen a Bluetooth SIG, Inc, por lo cual todo uso que haga Mirka Ltd de dichas marcas será bajo licencia Otras marcas registradas y nombres comerciales serán propiedad de sus respectivos propietarios

Normativas de las FCC y RSS libres de licencia de la normativa Industry Canada.

El cumplimiento del reglamento de radiocomunicaciones en Norteamérica ha sido verificado conforme a FCC Parte 15 (subapartados B y C), RSS-GEN, RSS-247 y FCC § 15.247. Su funcionamiento está sujeto a las dos siguientes condiciones:

1. Este artículo no causa interferencias dañinas.
2. Este artículo debe aceptar cualquier tipo de interferencia que reciba, incluidas aquellas que puedan causar un funcionamiento no deseado.

AVISO! Este equipo ha sido testado y declarado conforme a los límites de un dispositivo digital de Clase B, tal y como se especifica en la parte 15 de la normativa del FCC. Dichos límites tienen como objetivo ofrecer una protección razonable contra interferencias dañinas en una instalación de tipo residencial. Este equipo genera, utiliza y puede emitir energía de radiofrecuencia, la cual, en caso de no haber sido debidamente instalada y utilizada, puede causar interferencias dañinas en las comunicaciones de radio.

Ahora bien, no existe garantía alguna de que esta interferencia no pueda ocurrir en una instalación particular. Si este equipo causa interferencias dañinas en la recepción de la radio o la televisión, lo cual se puede determinar apagando y encendiendo el equipo, recomendamos al usuario que intente corregir la interferencia tomando una o varias de las siguientes medidas:

- Reoriente o cambie de lugar la antena de recepción.
- Aumente la separación entre el equipo y el receptor.
- Conecte el equipo a una salida de un circuito diferente de aquel al que esté conectado el receptor.
- Consulte y solicite ayuda a su distribuidor o bien a un técnico profesional de radio/TV.

ADVERTENCIA AL USUARIO: Todo cambio o modificación no aprobado expresamente por la parte responsable del cumplimiento puede despojar al usuario de la autoridad necesaria para operar este equipo.

Mantenimiento



¡Desconecte siempre la fuente de alimentación antes del mantenimiento!
¡Use solo piezas de repuesto originales de Mirka!

Cambio del plato de soporte

A = 8 mm (solo en 70 × 198 mm)

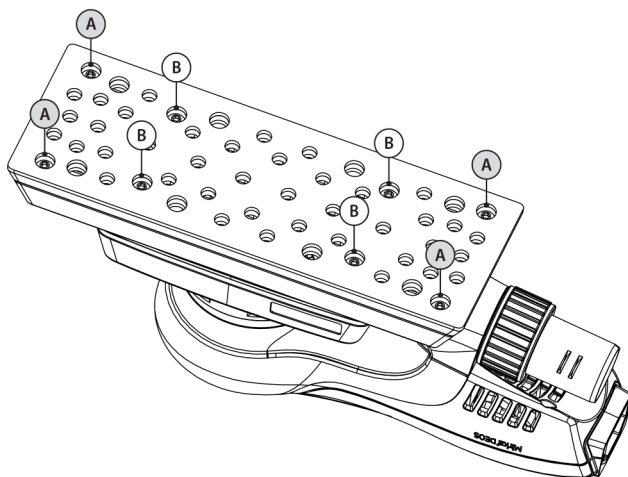
B = 16 mm

Retirar

1. Ponga la herramienta mirando hacia abajo.
2. Quite los 4 tornillos (A).
3. Quite los 4 tornillos (B).
4. Retire el plato de soporte.

Instalar

1. Encaje el nuevo plato.
2. Coloque los 4 tornillos (B).
3. Coloque los 4 tornillos (A).
4. Por último, apriete los tornillos.



Protector de plato

Los protectores de plato Mirka han sido diseñados para proteger el plato de soporte del deterioro que se produce al lijar de forma continua y agresiva con productos de malla. Estos protectores, de excelente relación calidad-precio, se colocan entre el plato de soporte y el disco de lijado y deben cambiarse con regularidad. Los protectores de plato prolongan la vida del plato de soporte.



<https://www.mirka.com/accessories/pad-savers/>



Servicio adicional

Solo el personal debidamente capacitado debe realizar el mantenimiento. Para mantener la garantía válida y para garantizar la seguridad y funcionamiento de la herramienta, se requiere que el servicio se efectúe en centros de servicio autorizado de Mirka. Para localizar su centro de servicio autorizado de Mirka, comuníquese con el Servicio de Atención al Cliente o con su distribuidor de Mirka.

Guía de solución de problemas

Síntoma	Causa posible	Solución
El LED (a la derecha) de la lijadora emite una luz intermitente entre roja y verde.	Conectado a una toma de corriente con voltaje erróneo.	Conecte la lijadora a una toma de corriente que se corresponda con el voltaje nominal de la herramienta.
No hay luz en el LED (a la derecha) de la lijadora cuando se enciende.	El cable de alimentación no está bien unido a la lijadora o al enchufe de la corriente.	Conéctelo bien.

Síntoma	Causa posible	Solución
El LED (a la derecha) de la lijadora emite una luz roja y la lijadora baja a una velocidad de 5000 R.P.M. durante el lijado.	Temperatura demasiado alta en la lijadora. La carga a largo plazo es demasiado pesada.	Reduzca la carga de la lijadora durante un tiempo y la lijadora recuperará su velocidad habitual.
El LED (a la derecha) de la lijadora emite una luz roja y las R.P.M. se reducen ligeramente.	La carga a corto plazo es demasiado pesada.	Utilice una carga más ligera y el LED (a la derecha) pasará a emitir automáticamente una luz verde.
El sello de freno no funciona. (No aplicable para DEOS 343)	Sello de freno desgastado, o rodamiento de eje dañado.	Compruebe y cambie el sello de freno o el rodamiento del eje si fuera necesario.
La lijadora se ha detenido y el LED (a la derecha) está rojo.	La herramienta está en modo de seguridad debido a su alta temperatura.	Espere a que la herramienta se haya enfriado.

Información sobre gestión de residuos

PELIGRO



Para inutilizar una herramienta de potencia obsoleta, quite el cable de alimentación.

Cumpla con las normativas específicas aplicables en su país sobre el desguace y el reciclado de máquinas, embalajes y accesorios en desuso.

Solo para la UE: No realice el desguace de herramientas eléctricas junto con los residuos domésticos. En cumplimiento de las directivas europeas sobre residuos de aparatos eléctricos y electrónicos y su aplicación de acuerdo con la legislación nacional, las herramientas eléctricas que han llegado al final de su vida deben ser recogidas por separado y llevadas a una planta de reciclaje compatible con el medio ambiente.

Para más información sobre REACH, RoHS y nuestra responsabilidad social corporativa, visite www.mirka.com

Déclaration de conformité

Mirka Ltd, 66850 Jeppo, Finlande				
certifie sous son unique responsabilité que les produits Mirka® (listés ci-dessous, consulter le tableau « Caractéristiques techniques » pour un modèle spécifique), pour lesquels la présente attestation est délivrée, sont conformes aux normes ou autres documents normatifs suivants : >EN 62841-1:2015, EN 62841-2-4:2014, EN 55014-1:2017/A11:2020, EN 55014-2:2015, EN 61000-3-2:2014, EN 61000-3-3:2013, EN 300 328 V2.2.2, EN 301 489-1 V2.1.1, EN 301 489-17 V3.1.1, EN IEC 63000:2018 conformément aux règlements 2006/42/CE, 2011/65/UE, 2014/53/UE.				
Produits : Mirka® DEOS 343X, 353X, 383X & 663X				
Jeppo (Finlande), le 26 août 2021 Lieu et date d'établissement	 Société	 Stefan Sjöberg, PDG	Fabricant/Fournisseur Mirka Ltd 66850 Jeppo, Finlande Tél : +358 20 760 2111 Fax +358 20 760 2290 www.mirka.com	

Traduction des instructions originales Nous nous réservons le droit d'apporter des modifications à ce manuel, à tout moment et sans avis préalable.

Important

Lire attentivement ces consignes de sécurité et d'utilisation avant de mettre en service, de faire fonctionner ou d'assurer l'entretien de cet appareil. Conserver ces consignes dans un lieu sûr et accessible. Veuillez lire et respecter les réglementations nationales et locales.

Équipement de protection individuelle requis



Lire le manuel de l'opérateur



Porter des lunettes de sécurité



Porter des protections auditives



Porter des gants de sécurité



Porter un masque facial



Attention : Situation potentiellement dangereuse pouvant provoquer la mort ou de graves blessures et/ou des dommages matériels.

Attention : Situation potentiellement dangereuse pouvant provoquer des blessures légères ou modérées et/ou des dommages matériels.



Intertek
4006707

CONFORME AUX NORMES UL STD62841-1, 62841-2-4
CERTIFIÉ PAR LES NORMES CAN/CSA STD
C22.2 N° 62841-1, C22.2 N° 62841-2-4

Veillez lire et respecter

- General Industry Safety & Health Regulations, part 1910, OSHA 2206, available from: Superintendent of Documents; Government Printing Office; Washington DC 20402
- Les réglementations nationales et locales



Consignes de sécurité générales concernant les outils électriques



AVERTISSEMENT – Lisez l'ensemble des avertissements et consignes de sécurité. Quiconque ne respecte pas les avertissements et consignes risque de s'exposer à une décharge électrique, de provoquer un incendie et/ou de graves blessures.

Conserver les avertissements et consignes pour pouvoir les consulter ultérieurement. Le terme « outil électrique » utilisé dans les consignes de sécurité fait référence à votre outil électrique, soit-il branché (par un cordon) sur le secteur ou fonctionnant (sans fil) avec une batterie.

1. Sécurité de la zone de travail

- Veiller à ce que la zone de travail reste propre et bien éclairée.** Les zones sombres et encombrées sont propices aux accidents.
- Ne pas utiliser d'outils électriques dans des atmosphères explosives, telles que celles contenant des poussières, gaz ou liquides inflammables.** Les outils électriques créent des étincelles qui risquent d'enflammer les poussières ou les fumées.
- Pendant l'utilisation d'un outil électrique, tenir les enfants et les spectateurs à distance.** Toute distraction risquerait de vous faire perdre le contrôle.

2. Sécurité électrique

- Les prises des outils électriques doivent correspondre à celles du secteur. Ne jamais modifier une prise de quelque manière que ce soit. Ne pas utiliser d'adaptateurs avec des outils électriques raccordés à la terre.** L'utilisation de prises mâles et femelles correspondantes réduit les risques de décharges électriques.
- Éviter tout contact corporel avec les surfaces raccordées à la terre comme les tuyaux, les cuisinières, les radiateurs et les réfrigérateurs.** Le risque d'électrocution est plus grand si votre corps est en contact avec la terre.
- Ne pas exposer les outils électriques à la pluie ou à l'humidité.** La pénétration de l'eau dans un outil électrique augmente les risques de choc électrique.
- Utiliser le cordon à bon escient : jamais pour porter, tirer ou débrancher l'outil. Éloigner le cordon de la chaleur, de l'huile, des arêtes vives et des pièces mobiles.** Les cordons endommagés ou emmêlés augmentent le risque d'électrocution.
- En cas d'utilisation d'un outil électrique en extérieur, utiliser une rallonge prévue à cet effet.** Utiliser un cordon adapté à une utilisation en extérieur réduit le risque d'électrocution.
- S'il est inévitable d'utiliser l'outil électrique dans un milieu humide, le brancher à une source d'alimentation protégée par un dispositif différentiel à courant résiduel (DDR).** L'utilisation d'un DDR réduit le risque d'électrocution.

3. Sécurité du personnel

- Restez alerte, regardez ce que vous faites et faites preuve de bon sens lors de l'utilisation de vos outils électriques. N'utilisez jamais d'outil électrique en cas de fatigue ou sous l'emprise de drogues, d'alcool et de médicaments.** Un moment d'inattention au cours de l'utilisation d'outils électriques peut provoquer des blessures graves.
- Porter un équipement de protection individuelle. Toujours porter une protection oculaire.** Des équipements de protection tels qu'un masque anti-poussière, des chaussures antidérapantes, un casque de sécurité ou encore des protections auditives utilisés dans des conditions appropriées peuvent réduire le risque de blessures.
- Éviter tout démarrage intempestif. Vérifier que l'interrupteur est en position arrêté avant de brancher l'outil à une source électrique et/ou la batterie, de soulever ou de porter l'appareil.** Transporter des outils électriques avec le doigt placé sur l'interrupteur ou brancher des outils lorsque l'interrupteur est en position marche est propice aux accidents.
- Retirer toutes clés de réglage avant d'allumer l'appareil.** Une clé restée sur une pièce rotative de l'outil peut provoquer des blessures.
- Ne pas tendre le bras trop loin. Veiller à ne jamais perdre l'équilibre.** Cela permet d'avoir un meilleur contrôle sur l'outil électrique en cas d'imprévu.
- Porter des vêtements appropriés. Ne porter ni vêtements amples ni bijoux pendents. Veiller à ce que cheveux, vêtements et gants restent éloignés des pièces mobiles** qui risqueraient de les happer.
- Si les appareils sont conçus pour être raccordés à un système d'extraction et de captage de la poussière, veiller à ce qu'ils soient en place et dûment utilisés.** L'utilisation d'un système de captage de la poussière peut réduire les risques liés à la poussière.
- Une fois familiarisé avec les outils que vous utilisez souvent, attention à toujours rester vigilant et continuer à bien respecter les règles de sécurité.** Un manque d'attention peut entraîner des blessures graves en une fraction de seconde.

4. Utilisation et soin de l'outil électrique

- a. **Ne pas exercer de surcharge sur l'outil électrique. Utiliser l'outil approprié à vos besoins.** Utiliser le bon outil et à la vitesse prévue permettra d'obtenir un meilleur résultat et sera moins risqué.
- b. **Ne pas utiliser l'outil électrique si son interrupteur ne l'allume ou ne l'éteint pas.** Tout outil électrique dont l'interrupteur ne fonctionne plus est dangereux et doit être réparé.
- c. **Avant d'effectuer des réglages, de changer d'accessoires ou de ranger vos appareils, débrancher la prise du secteur et/ou la batterie de l'outil.** Ce type de mesure de sécurité préventive réduit les risques de démarrage imprévu de l'outil.
- d. **Toujours laisser un outil tournant au ralenti hors de portée des enfants, et ne jamais confier son utilisation à des personnes connaissant mal ces consignes ou l'outil.** Entre les mains d'utilisateurs non entraînés, les outils électriques constituent un danger.
- e. **Entretien des outils électriques. Contrôler tout désaxage ou grippage des pièces mobiles, toute rupture des pièces ou tout autre problème risquant d'affecter le bon fonctionnement de l'outil. S'il est endommagé, faire réparer l'outil avant de l'utiliser.** De nombreux accidents sont dus à des outils électriques mal entretenus.
- f. **Veiller à ce que les outils coupants restent affûtés et propres.** Les outils coupants bien entretenus dont les arêtes de coupe sont bien affûtées risquent moins de se gripper et son plus faciles à maîtriser.
- g. **Utiliser l'outil électrique, ses accessoires, ses outils rapportés etc. conformément à ces consignes, en prenant en compte les conditions de travail et le travail à réaliser.** L'utilisation d'un outil électrique à des fins différentes de celles pour lesquelles il a été conçu pourrait s'avérer dangereux.
- h. **Veiller à ce que les poignées et les zones de préhension restent sèches, propres et dénuée de graisse ou d'huile.** En cas de situation inattendue, une poignée ou une zone de préhension poisseuse empêcheront de tenir et de maîtriser correctement l'outil.

5. Entretien

- a. **Confier la réparation de votre outil électrique à une personne qualifiée, et n'utiliser que des pièces de rechanges identiques.** Cela garantira la sécurité de l'outil.



Consignes de sécurité supplémentaires

- Seule l'utilisation de plateaux Mirka d'origine peut assurer la sécurité de l'outil.
- Lire la fiche de données de sécurité correspondant à la surface de travail.
- En cas de gêne physique au niveau de la main ou du poignet, cesser de travailler et demander un avis médical. Les blessures touchant les mains, les poignets ou les bras peuvent résulter de travaux ou de mouvements répétitifs ou d'une surexposition aux vibrations.
- La prise électrique et le connecteur femelle ne sont pas normalisés IEC. Ne pas utiliser d'autres câbles d'alimentation que les câbles de la marque Mirka. Les cordons d'alimentation électrique Mirka s'achètent chez les prestataires Mirka.
- Contrôler régulièrement l'usure de l'outil, du plateau, du cordon d'alimentation et des raccords.
- Nettoyer ou remplacer quotidiennement le sac à poussière de l'extracteur. La poussière peut être hautement combustible. Le nettoyage ou le remplacement du sac assure également une performance optimale de l'outil.
- En cas de dysfonctionnement de l'outil, cesser immédiatement le travail et procéder à son entretien ou à sa réparation.
- Toujours s'assurer que la pièce à poncer est fermement fixée.
- Pendant l'utilisation, garder les mains à distance du plateau tournant.



Avertissements supplémentaires

Certaines poussières produites par le ponçage électrique, le sciage, le meulage, le perçage et d'autres activités de construction contiennent des agents chimiques qui causent des cancers, des anomalies congénitales ou d'autres dangers pour la reproduction. Voici quelques exemples de tels agents chimiques :

- le plomb des peintures à base de plomb,
- la silice cristalline des briques, du ciment et d'autres produits de maçonnerie, et
- l'arsenic et le chrome du bois d'oeuvre traité chimiquement.

Les conséquences de telles expositions varient en fonction de la fréquence à laquelle vous faites ce type de travail. Pour réduire votre exposition à ces agents chimiques, travaillez dans un endroit bien ventilé et utilisez des équipements de protection agréés, tels que les masques de protection contre la poussière qui sont conçus spécialement pour filtrer les particules microscopiques.

Caractéristiques techniques

DEOS	343X CV	353X CV	383X CV	663X CV
Puissance absorbée	250 W	250 W	250 W	250 W
Tension transformateur	100–120 VAC	100–120 VAC	100–120 VAC	100–120 VAC
Vitesse de rotation	5 000–10 000 tr/min	5 000–10 000 tr/min	5 000–10 000 tr/min	5 000–10 000 tr/min
Excentricité	3 mm	3 mm	3 mm	3 mm
Diamètre du plateau	75 x 100 mm	81 x 133 mm	70 x 198 mm	100 x 152 x 152 mm
Poids	0.97 kg	0.97 kg	1 kg	0.97 kg
Niveau de protection	I	I	I	I

Données relatives au bruit et aux vibrations

Les valeurs mesurées sont déterminées conformément à la norme EN 62841.

DEOS	343X CV	353X CV	383X CV	663X CV
Niveau de pression acoustique (L_{pA})	70 dB(A)	69 dB(A)	71 dB(A)	68 dB(A)
Niveau de puissance acoustique (L_{WA})	81 dB(A)	80 dB(A)	82 dB(A)	79 dB(A)
Incertitude de mesure K	3.0 dB(A)	3.0 dB(A)	3.0 dB(A)	3.0 dB(A)
Valeur d'émission de vibration a_h^*	3.3 m/s ²	2.6 m/s ²	2.6 m/s ²	2.6 m/s ²
Incertitude d'émission de vibration K[*]	1.5 m/s ²	1.5 m/s ²	1.5 m/s ²	1.5 m/s ²

Les spécifications sont sujettes à changement sans préavis La gamme de modèles peut varier d'un marché à l'autre.

* Les niveaux de bruit et de vibration indiqués dans le tableau sont dérivés d'essais effectués en laboratoire conformément aux codes et aux normes prescrits Ils ne suffisent pas à l'évaluation des risques pour tous les types d'exposition Les valeurs mesurées sur le lieu de travail peuvent être supérieures aux valeurs déclarées Les valeurs d'exposition réelles et le niveau de risque ou de dommages subis par une personne sont spécifiques à chaque situation et dépendent du milieu environnant, de la façon dont l'individu utilise ses machines, du matériau particulier sur lequel s'effectue le travail, de la conception du poste de travail ainsi que de la durée d'exposition et de la condition physique de l'utilisateur Mirka Ltd réfute toute responsabilité vis à vis des conséquences de l'utilisation des valeurs déclarées au lieu des valeurs réelles d'exposition pour toute évaluation de risque individuelle.

Des informations complémentaires concernant la santé et la sécurité au travail peuvent être obtenues sur les sites suivants :

<https://osha.europa.eu/en> (Europe) ou <http://www.osha.gov> (USA)

Utilisation prévue

Cette ponceuse est conçue pour le ponçage de tous les types de matériaux : métaux, bois, pierre, plastique, etc. à l'aide d'abrasifs conçus à cet effet. Ne pas utiliser cette ponceuse à d'autres fins que celles spécifiées, sans consulter au préalable le fabricant ou son fournisseur agréé. Utiliser uniquement les plateaux d'origine Mirka qui sont conçus pour une performance optimale. L'utilisation d'autres types de plateaux pourrait diminuer la performance de l'outil et augmenter les vibrations. Les orifices d'air de refroidissement situés sur le boîtier doivent être gardés propres et exempts de tout débris qui pourrait bloquer la circulation de l'air. Les travaux d'entretien ou de réparation ne peuvent être effectués que par un centre d'entretien agréé.

Postes de travail

Cet outil a été conçu pour être utilisé en tant qu'outil à main. Il est recommandé de ne l'utiliser qu'en position stable sur un sol ferme. Les positions peuvent varier, mais l'opérateur doit s'attendre à ce que l'outil produise un effet de torsion. Voir la section « Conseils d'utilisation ».

Pour commencer

Lors du déballage de l'outil, vérifier qu'il est intact, complet et qu'il n'a pas été endommagé au cours du transport. Ne jamais utiliser un outil endommagé.

Avant toute utilisation, vérifier que le plateau est correctement fixé et serré. Brancher le cordon d'alimentation sur l'outil. Brancher le cordon d'alimentation sur une prise reliée à la terre (110 – VAC, 50–60Hz).

Pour exploiter de manière optimale la puissance de cet outil, il est recommandé de l'associer à l'extracteur de poussière Mirka (ou à tout autre appareil d'extraction de la poussière adapté) et aux produits de ponçage Net de Mirka. Les solutions de ponçage sans poussière de Mirka reposent sur l'association des ponceuses, des produits de ponçage Net et d'un extracteur de poussière Mirka.

Le cordon d'alimentation de l'outil est branché sur l'alimentation de l'extracteur de poussière. Le fait de raccorder le cordon de l'outil à la prise de l'extracteur lui permet de bénéficier de la fonction de démarrage automatique de l'extracteur.

Instructions d'utilisation

- La ponceuse est destinée à être utilisée comme outil à main. Elle est utilisable dans n'importe quelle position. Attention ! Au démarrage, la ponceuse peut avoir un effet de couple.
- S'assurer que l'interrupteur de la ponceuse est sur position arrêt. Choisir un abrasif convenable et le fixer soigneusement sur le plateau (Velcro). Veiller à ce que l'abrasif soit centré et fermement fixé sur le plateau. Pour des performances optimales, il est recommandé d'utiliser un plateau et un produit de ponçage Net Mirka.
- Allumer la ponceuse en appuyant sur l'interrupteur On/Off, Figure 1. Le voyant (droite) de la ponceuse passe au vert.
- La ponceuse peut maintenant démarrer en appuyant sur la poignée.
- En modifiant la position du levier, la vitesse peut être ajustée entre 5 000 tr/min et le régime maximal.
- La vitesse maximale s'ajuste en appuyant sur les boutons tr/min + et tr/min, voir Figure 1. La vitesse de rotation peut être ajustée par paliers de 5000, 6000, 7000, 7500, 8000, 9000 et 10 000 tr/min.
- La vitesse de la ponceuse peut être ajustée de deux manières. En mode par défaut, la vitesse peut être ajustée de manière linéaire en adaptant la position du levier ; Dans l'autre mode, la vitesse de rotation demeure fixée sur le régime Max défini lorsque l'outil est en marche. Appuyer simultanément sur les touches tr/min + et tr/min - pour commuter entre deux modes de commande.
- Lors du ponçage, toujours commencer par poser l'outil sur la surface de travail avant de l'allumer. Toujours enlever l'appareil de la surface poncée avant de l'arrêter.
- Lorsque le ponçage est terminé, éteindre la ponceuse en appuyant sur l'interrupteur On /Off. La diode LED (droite) de la ponceuse s'éteint.

Bluetooth

Cet outil, équipé de la technologie Bluetooth® à faible consommation d'énergie, peut être connecté à une application permettant d'accéder à de nouvelles fonctionnalités. Si l'application est disponible dans votre pays, retrouvez toutes ses fonctionnalités sur www.mirka.com/mymirka

Suivre la procédure suivante pour activer le Bluetooth de votre Mirka® DEOS :

1. Brancher le cordon d'alimentation sur le secteur.
2. Appuyer et maintenir enfoncé le bouton Speed+ tout en allumant l'outil à l'aide du bouton On/Off.
3. La LED de gauche s'allume (vert) pour indiquer que le Bluetooth est actif.
4. Le fait de débrancher l'outil du secteur désactive le Bluetooth.

ATTENTION ! Si l'application n'est pas installée ou si elle n'est pas disponible dans votre pays, ne pas activer le Bluetooth.

La marque verbale et le logo Bluetooth® sont des marques déposées et la propriété de Bluetooth SIG, Inc et l'utilisation de ces marques par Mirka Ltd est régie par une licence. Les autres marques et marques de commerce appartiennent à leurs propriétaires respectifs.

Règles du FCC et Licence industrielle canadienne, hors RSS

La conformité avec les règlements nord-américains relatifs à la radio a été vérifiée conformément au document FCC partie 15, sous-parties B et C, RSS-GEN, RSS-247 et FCC §15.247. L'utilisation est soumise aux deux conditions suivantes :

1. L'appareil ne doit pas produire de brouillage nuisible.
2. L'utilisateur de l'appareil doit accepter tout brouillage radioélectrique subi, même si le brouillage est susceptible d'en compromettre le fonctionnement.

ATTENTION ! Cet équipement a été soumis à essais et s'avère conforme aux limites d'un appareil numérique de classe B, conformément à la partie 15 des règles du FCC. Ces limites sont définies pour protéger suffisamment contre les interférences nocives provoquées par une installation résidentielle. Cet appareil génère, utilise et peut émettre des radio-fréquences et, faute d'être installé et utilisé conformément aux instructions, il peut provoquer des interférences néfastes pour les communications radio.

Toutefois, il se peut qu'un brouillage se produise dans une installation particulière. Si cet équipement cause un brouillage nuisible à la réception des signaux de radio ou de télévision, ce qui peut être détecté en mettant l'équipement sous et hors tension, l'utilisateur peut tenter de résoudre le problème par l'un des moyens suivants :

- Réorienter ou déplacer l'antenne réceptrice.
- Augmenter la distance séparant l'équipement du récepteur.
- Brancher l'équipement sur un circuit électrique différent de celui où le récepteur est branché.
- Consulter le distributeur ou un technicien qualifié en radio/télévision pour obtenir de l'aide.

MISE EN GARDE POUR L'UTILISATEUR : Tout changement ou modification qui n'est pas expressément approuvé par la partie responsable de la conformité risquerait d'annuler l'autorité de l'utilisateur à utiliser l'équipement.

Maintenance



Avant toute opération de maintenance, toujours débrancher l'alimentation électrique !
N'utiliser que des pièces de rechange d'origine Mirka !

Remplacement du plateau

A = 8 mm (seulement sur 70 × 198 mm)

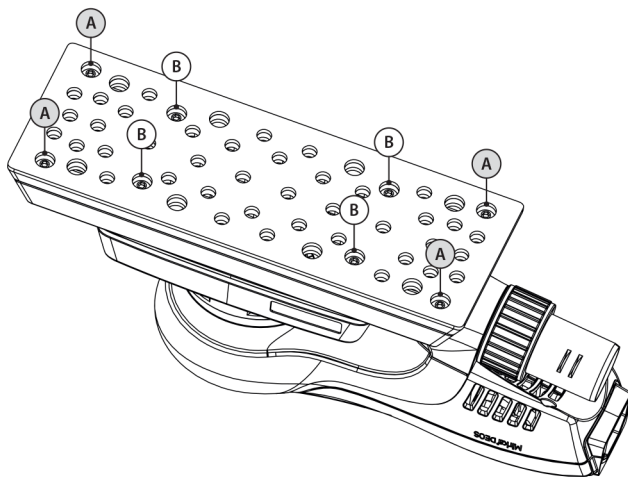
B = 16 mm

Dépose

1. Retourner l'outil.
2. Retirer les 4 vis (A).
3. Retirer les 4 vis (B).
4. Déposer le plateau.

Installation

1. Ajuster le nouveau plateau.
2. Poser les 4 vis (B).
3. Poser les 4 vis (A).
4. Serrer les vis.



Protecteur de plateau

Les protecteurs de plateaux Mirka sont conçus pour empêcher les plateaux, équipés de produits de la gamme Net, de s'user et de se déchirer lors d'opérations de ponçage agressif et continu. Particulièrement rentables, ces protecteurs, intercalés entre le plateau et le disque de ponçage, doivent être régulièrement remplacés. Les protecteurs de plateaux prolongent la durée de vie des plateaux.



<https://www.mirka.com/accessories/pad-savers/>

Autres opérations d'entretien

Les opérations d'entretien doivent toujours être réalisées par du personnel qualifié. Pour que la garantie de l'outil reste valable et pour garantir une sécurité et un fonctionnement optimaux de l'outil, l'entretien doit être réalisé par un centre agréé Mirka. Pour trouver votre centre d'entretien agréé le plus proche, contacter le service client èle Mirka ou votre prestataire Mirka.

Guide de dépannage

Problème	Cause possible	Solution
La LED (droite) de la ponceuse clignote rouge et vert.	Appareil branché à une prise de courant dont la tension est inappropriée.	Brancher la ponceuse à une prise dont la tension nominale correspond à celle de l'outil.
Le témoin lumineux (droite) de la ponceuse reste éteint bien qu'elle soit allumée.	Le cordon n'est pas bien branché à la ponceuse ou au secteur.	Le raccorder correctement.
Le voyant (droite) de la ponceuse est rouge et la machine ralentit à 5 000 tr/min pendant le ponçage.	Température de la ponceuse trop élevée. Utilisation excessive trop longue.	Réduire temporairement la charge exercée sur la ponceuse pour lui permettre d'accélérer de nouveau.
Le voyant (droite) de la ponceuse est rouge et la vitesse de rotation est légèrement ralentie.	Utilisation excessive trop courte.	Diminuer l'intensité de l'opération et le voyant (droite) repassera automatiquement au vert.
Le frein de plateau ne fonctionne pas. (Hors DEOS 343)	Frein de plateau usé ou roulement de l'axe endommagé.	Vérifier et remplacer le frein de plateau ou le roulement de broche si nécessaire.
La ponceuse s'est arrêtée et la LED (droite) est rouge.	À cause de la surchauffe, l'outil s'est mis en mode de sécurité.	Attendre que l'outil ait refroidi.

Mise au rebut

DANGER



Rendre inutilisables les outils électriques en trop en retirant leur cordon d'alimentation.

Respecter les réglementations propres à chaque pays en ce qui concerne la mise au rebut et le recyclage des machines inutilisées, des emballages et des accessoires.

Union européenne uniquement : Ne pas jeter les outils électriques avec les déchets ménagers. En respect des directives européennes relatives à la mise au rebut des équipements électriques et électroniques et à sa mise en œuvre conformément à la loi nationale, les outils électriques en fin de vie doivent être triés et retournés à un centre de recyclage respectueux de l'environnement.




Pour davantage d'informations sur REACH, RoHS et notre responsabilité sociale d'entreprise, rendez-vous sur www.mirka.com.

Declaração de conformidade

Mirka Ltd, 66850 Jeppo, Finlândia

vem por este meio declarar ser nossa única responsabilidade que os produtos Mirka® (listados na tabela 'Dados técnicos' para o modelo em particular) a que se refere esta declaração, estão em conformidade com as seguintes normas ou outros documentos normativos: EN 62841-1:2015, EN 62841-2-4:2014, EN 55014-1:2017/A11:2020, EN 55014-2:2015, EN 61000-3-2:2014, EN 61000-3-3:2013, EN 300 328 V2.2.2, EN 301 489-1 V2.1.1, EN 301 489-17 V3.1.1, EN IEC 63000:2018 de acordo com os regulamentos 2006/42/CE, 2011/65/UE, 2014/53/UE.

Produtos: Mirka® DEOS 343X, 353X, 383X & 663X

<p>Jeppo, 26/08/2021 Local e data de emissão</p>	 Empresa	 Stefan Sjöberg, CEO	<p>Fabricante / Fornecedor Mirka Ltd 66850 Jeppo, Finlândia Tel.: +358 20 760 2111 Fax: +358 20 760 2290 www.mirka.com</p>	
--	--	--	---	--

Tradução das instruções originais. Reservamo-nos o direito de fazer alterações neste manual sem aviso prévio.

Importante

Ler estas instruções de segurança e de operação atentamente antes de instalar, operar ou fazer a manutenção desta ferramenta. Manter estas instruções num local seguro e acessível. Ler e cumprir os regulamentos nacionais e locais.

Equipamento de segurança individual exigido



Leia o manual do operador



Utilize óculos de segurança



Utilize proteção auricular



Utilize luvas de segurança



Utilize máscara facial



Advertência: Possível situação de risco que pode resultar em morte ou lesão grave e/ou em danos à propriedade.

Cuidado: Possível situação de risco que pode resultar em lesões de pequena ou média gravidade e/ou em danos à propriedade.



ESTÁ EM CONFORMIDADE COM AS NORMAS UL STD62841-1, 62841-2-4
CERTIFICADO PARA CAN/CSA STD
C22.2 N.º 62841-1, C22.2 N.º 62841-2-4

Leia e mantenha a conformidade com

- Regulamentações gerais sobre segurança e saúde no setor, Parte 1910, OSHA 2206, disponível em: Superintendent of Documents; Government Printing Office; Washington DC 20402
- Regulamentações estaduais e locais



Avisos gerais sobre a segurança de ferramentas elétricas



AVISO Ler todos os avisos e instruções de segurança. O não cumprimento dos avisos e instruções pode resultar em choque elétricos, incêndio e/ou lesões graves.

Guardar todos os avisos e instruções para consulta futura. O termo 'ferramenta elétrica' refere-se a uma ferramenta operada com corrente elétrica (com fio), ou operada a bateria (sem fio).

1. Segurança da área de trabalho

- a. **Manter a área de trabalho limpa e bem iluminada.** Zonas desarrumadas ou escuras são um convite ao acidente.
- b. **Não operar ferramentas elétricas em ambientes explosivos, como na presença de líquidos, gases ou poeiras inflamáveis.** As ferramentas elétricas geram faíscas que podem acender poeiras ou fumos.
- c. **Manter crianças e outras pessoas afastadas quando estiver a usar uma ferramenta elétrica.** Uma distração pode resultar na perda de controlo.

2. Segurança elétrica

- a. **A ficha da ferramenta elétrica deve corresponder à tomada de parede. Nunca modificar a ficha de qualquer forma. Não usar fichas adaptadoras com ligação à terra com ferramentas elétricas.** Fichas elétricas não modificadas, com tomadas correspondentes, reduzem o risco de choques elétricos.
- b. **Evitar tocar em superfícies ligadas à terra com o corpo, como tubos, radiadores, fogões elétricos ou frigoríficos.** Há maior risco de choque elétrico se o corpo estiver exposto a ligações à terra.
- c. **Não expor ferramentas elétricas a chuva ou humidade.** Penetração de água na ferramenta elétrica aumenta o risco de choque elétricos.
- d. **Não negligenciar o fio elétrico. Nunca usar o fio elétrico para transportar, puxar ou desligar a ferramenta. Manter o fio elétrico afastado de calor, óleo, cantos afiados e peças móveis.** Fios danificados ou emaranhados aumentam o risco de choques elétricos.
- e. **Se usar a ferramenta elétrica no exterior, deve usar uma extensão adequada para uso no exterior.** Usar um fio elétrico adequado para uso no exterior reduz o risco de choques elétricos.
- f. **Se for inevitável usar uma ferramenta elétrica em locais húmidos, a alimentação de energia deve incluir um um aparelho de correntes residuais (RCD).** Usar um RCD reduz o risco de choques elétricos.

3. Segurança pessoal

- a. **Para usar a ferramenta elétrica deve estar atento, com atenção ao que está a fazer e com bom senso. Não usar uma ferramenta elétrica se estiver cansado(a) ou sob a influência de drogas, álcool ou medicamentos.** Um momento de desatenção durante o uso de uma ferramenta elétrica pode resultar em lesões graves.
- b. **Usar equipamento de proteção individual. Usar sempre proteção ocular.** Equipamento de proteção, como máscara anti-poeiras, sapatos anti-deslizantes, capacete industrial ou proteção auricular são apropriados para reduzir lesões.
- c. **Evitar arranques acidentais. Assegurar que o interruptor está na posição de desligado antes de ligar a ferramenta à fonte de energia e/ou bateria, assim como antes de a pegar e carregar.** Transportar ferramentas elétricas com o dedo no interruptor, ou ligar ferramentas à tomada com o interruptor na posição ligada é um convite a acidentes.
- d. **Antes de ligar a ferramenta, remover chaves ou chave de caixa.** Uma chave esquecida numa peça rotativa da ferramenta elétrica pode resultar em lesões.
- e. **Não se estique. Manter sempre os pés firmes,** para ter melhor controlo sobre a ferramenta elétrica em situações inesperadas.
- f. **Usar roupa adequada. Não usar roupas soltas nem joias. Manter os cabelos, roupas e luvas afastadas de peças móveis.** Roupas soltas, joias ou cabelos compridos podem ficar presos nas peças móveis.
- g. **Se forem disponibilizados aparelhos para ligar unidades de extração e recolha de poeiras, verificar se estão ligados e se são usados adequadamente.** Usar um aparelho de recolha de poeiras reduz perigos relacionados com poeiras.
- h. **Não deve ficar complacente e ignorar os princípios de segurança da ferramenta por estar muito familiarizado(a) com a ferramenta devido ao seu uso frequente.** Um ação descuidada pode causar lesões graves numa fracção de segundo.

4. Utilização e cuidados a ter com a ferramenta elétrica

- a. **Não sobrecarregar a ferramenta elétrica. Usar a ferramenta elétrica correta para cada aplicação.** Uma ferramenta elétrica adequada faz melhor a tarefa, e com mais segurança, na velocidade para a qual foi concebida.

- b. **Não usar a ferramenta elétrica se o interruptor não liga nem desliga.** Qualquer ferramenta elétrica que não possa ser controlada com o interruptor é um perigo e deve ser reparada.
- c. **Desligar a ficha da tomada e/ou a bateria da ferramenta antes de fazer ajustamentos, trocar acessórios ou guardar a ferramenta elétrica.** Estas medidas de prevenção de segurança reduzem o risco de a ferramenta se ligar acidentalmente.
- d. **Guardar ferramentas não usadas fora do alcance de crianças; não permitir que pessoas que não estejam familiarizadas com a ferramenta elétrica ou estas instruções operem a ferramenta.** As ferramentas elétricas são perigosas nas mãos de utilizadores não formados.
- e. **Manutenção de ferramentas elétricas. Verificar se as peças móveis estão desalinhasadas ou gripadas, peças avariadas e outras situações que possam afetar a operação da ferramenta elétrica. Reparar uma ferramenta elétrica danificada antes de a usar.** Muitos acidentes são causados por ferramentas elétricas sem manutenção.
- f. **Manter as ferramentas elétricas afiadas e limpas.** Ferramentas elétricas com manutenção adequada, com cantos afiados, têm menos probabilidade de gripar e são mais fáceis de controlar.
- g. **Usar a ferramenta elétrica, acessórios, brocas e outros de acordo com estas instruções, tendo em consideração as condições operacionais e o trabalho a executar.** Usar uma ferramenta elétrica para operações que não sejam as previstas pode resultar em situações de perigo.
- h. **Manter pegas e superfícies de aderência secas, limpas e sem óleo ou gordura.** Pegas e superfícies aderentes escorregadias não oferecem um manuseamento seguro ou controlo da ferramenta em situações inesperadas.

5. Manutenção

- a. **A ferramenta elétrica deve ser reparada por técnicos qualificados, apenas com peças sobressalentes idênticas,** para assegurar que a segurança da ferramenta elétrica é mantida.



Avisos adicionais de segurança

- A segurança da ferramenta é assegurada se forem usadas as almofadas de encosta de origem da Mirka.
- Leia a Ficha de dados de segurança dos materiais (Materials Safety Data Sheet, MSDS) relativa à superfície de trabalho.
- Caso experimente algum desconforto físico na mão/pulso, pare de trabalhar e procure assistência médica. Lesões nas mãos, pulsos e braços podem resultar do trabalho e movimentos repetitivos e da exposição excessiva a vibrações.
- A tomada elétrica e o conector são acopladores de aparelhos elétricos não IEC. Utilize apenas um cabo de alimentação elétrica original da Mirka. O cabo de alimentação elétrica da Mirka pode ser comprado em um revendedor autorizado Mirka.
- Inspeccione regularmente a ferramenta, o suporte de apoio, o cabo de alimentação e as conexões em busca de desgaste.
- Limpe ou substitua diariamente o saco de coleta do aspirador de pó. A poeira pode ser altamente combustível. A limpeza ou a substituição do saco também garante um desempenho ideal.
- Se a ferramenta parecer estar funcionando de forma incorreta, interrompa o uso imediatamente e providencie a manutenção e o reparo.
- Certifique-se sempre de que a peça a ser lixada está fixada com firmeza no local.
- Durante a utilização, manter as mãos afastadas do acessório rotativo.



Avisos adicionais

Algumas poeiras produzidas ao lixar, serrar, esmerilhar, perfurar e realizar outras atividades de construção contêm substâncias químicas que reconhecidamente causam câncer, malformação congênita ou outros danos à reprodução. Alguns exemplos dessas substâncias químicas:

- chumbo de tintas à base de chumbo;
- sílica cristalina de tijolos, cimento e outros produtos de alvenaria; e
- arsênico e cromo de madeiras quimicamente tratadas.

O risco causado por essas exposições varia conforme a frequência com a qual você realiza estes tipos de trabalho. Para reduzir a exposição a essas substâncias químicas: trabalhe em uma área bem ventilada e use equipamentos de segurança aprovados, como as máscaras de proteção contra poeira feitas especificamente para filtrar partículas microscópicas.

Dados técnicos

DEOS	343X CV	353X CV	383X CV	663X CV
Potência	250 W	250 W	250 W	250 W

DEOS	343X CV	353X CV	383X CV	663X CV
Tensão elétrica	100–120 VCA	100–120 VCA	100–120 VCA	100–120 VCA
Velocidade	5.000–10.000 rpm	5.000–10.000 rpm	5.000–10.000 rpm	5.000–10.000 rpm
Órbita	3 mm	3 mm	3 mm	3 mm
Tamanho do suporte de apoio	75 x 100 mm	81 x 133 mm	70 x 198 mm	100 x 152 x 152 mm
Peso	0,97 kg	0,97 kg	1 kg	0,97 kg
Grau de proteção	I	I	I	I

Informações sobre ruído e vibração

Os valores medidos são determinados de acordo com a norma EN 62841.

DEOS	343X CV	353X CV	383X CV	663X CV
Nível de pressão sonora (L_{pA})	70 dB(A)	69 dB(A)	71 dB(A)	68 dB(A)
Nível de potência sonora (L_{WA})	81 dB(A)	80 dB(A)	82 dB(A)	79 dB(A)
Incerteza de medição de som K	3,0 dB(A)	3,0 dB(A)	3,0 dB(A)	3,0 dB(A)
Valor de emissão de vibração a_h^*	3,3 m/s ²	2,6 m/s ²	2,6 m/s ²	2,6 m/s ²
Incerteza de emissão de vibração K	1,5 m/s ²	1,5 m/s ²	1,5 m/s ²	1,5 m/s ²

As especificações estão sujeitas a alterações sem aviso prévio. A série de modelo pode variar consoante o mercado.

* Os valores informados na tabela são derivados de testes de laboratório em conformidade com os códigos e padrões declarados e não são suficientes para a avaliação dos riscos. Os valores medidos em um local de trabalho específico poderão ser mais altos do que os valores declarados. Os valores de exposição real e a quantidade de risco ou dano vivenciados por um indivíduo são exclusivos de cada situação e dependem do ambiente ao redor, da forma como o indivíduo opera a máquina, do material específico sendo trabalhado, do desenho da estação de trabalho e do tempo de exposição e da condição física do usuário. A Mirka Ltd não aceita nenhuma responsabilidade pelas consequências do uso dos valores declarados em vez dos valores de exposição reais para qualquer avaliação de riscos individuais.

Outras informações sobre saúde e segurança ocupacionais podem ser obtidas nos sites a seguir:

<https://osha.europa.eu/en> (Europe) or <http://www.osha.gov> (USA)

Uso adequado da ferramenta

Esta lixadeira foi projetada para lixar todos os tipos de materiais, ou seja, metais, madeira, pedra, plástico, etc., usando abrasivos destinados para esta finalidade. Não use esta lixadeira para nenhuma outra finalidade além da especificada sem consultar o fabricante ou o fornecedor autorizado do fabricante. Utilize apenas suportes de apoio originais da Mirka projetados para oferecer um desempenho ideal. Outros suportes de apoio podem reduzir o desempenho e aumentarão a vibração. As saídas de ar de resfriamento do compartimento devem ser mantidas limpas e sem obstruções para garantir a circulação do ar. Qualquer trabalho de manutenção ou reparo deve ser realizado somente por um centro de serviço autorizado.

Estações de trabalho

A ferramenta está prevista para ser usada como uma ferramenta portátil. Recomendamos sempre usar a ferramenta de pé sobre um pavimento sólido. Pode ser em qualquer posição, mas antes de usar o operador deve estar numa posição segura, a segurar bem a ferramenta e com os pés firmemente pousados; deve estar ciente que a ferramenta pode ter reações de binário. Ver a secção Instruções de operação.

Como começar

Ao desembalar a ferramenta, certifique-se de que esteja intacta, completa e que não tenha sido danificada durante o transporte. Nunca use uma ferramenta danificada.

Antes de usar, verificar se a almofada de encosto está bem fixa e apertada. Ligar o fio elétrico à ferramenta. Ligar o fio elétrico a uma tomada com ligação à terra (110 – VCA, 50–60Hz).

Para obter a potência máxima desta ferramenta, recomendamos usar com um extrator de poeiras (ou outra forma de extração de poeira adequada), junto com produtos Net Sanding da Mirka. A combinação de máquinas de lixar Mirka, com produtos Net Sanding da Mirka e o extrator de poeiras da Mirka forma a base da solução para lixar sem poeiras.

O fio elétrico da ferramenta está ligado à fonte de alimentação do extrator de poeiras. Depois de o fio elétrico da ferramenta estar ligado à tomada no extrator de poeiras, a função de auto-arranque do extrator de poeiras pode ser usada.

Instruções de operação

- A ferramenta destina-se a ser operada como uma ferramenta portátil. A ferramenta pode ser utilizada em qualquer posição. Observação! A lixadeira pode desenvolver uma reação ao torque quando ligada.
- Certifique-se de que a lixadeira esteja desligada. Selecione um abrasivo adequado e fixe-o no suporte de apoio. Certifique-se de que o abrasivo está centralizado no suporte de apoio. Para que se obtenha um desempenho ideal, recomendamos um suporte de apoio Mirka e produtos Mirka para lixamento em tela livre de pó.
- Ligue a lixadeira pressionando a chave Liga/Desliga, figura 1. O LED (direito) da lixadeira ficará verde.
- A lixadeira pode agora ser iniciada pressionando a alavanca.
- A velocidade pode ser ajustada entre 5.000 rpm e a rpm máxima por meio de se alterar a posição da alavanca.
- A rpm máxima pode ser ajustada pressionando-se RPM+ ou RPM– (Figura 1). A rpm pode ser ajustada em graus de 5.000, 6.000, 7.000, 7.500, 8.000, 9.000 e 10.000 rpm.
- A ferramenta tem dois modos de controle de velocidade. No modo padrão, a velocidade pode ser ajustada linearmente ao alterar a posição da alavanca. No outro modo, a velocidade permanece fixa na rpm máxima definida quando a ferramenta está funcionando. Quando as teclas RPM+ e RPM– são pressionadas simultaneamente, a ferramenta alterna entre os dois modos de controle.
- Ao lixar, sempre coloque a ferramenta sobre a superfície de trabalho antes de ligá-la. Sempre retire a ferramenta da superfície de trabalho antes de desligá-la.
- Ao terminar de lixar, desligue a lixadeira pressionando a chave Liga/Desliga. O LED (direito) da lixadeira desligará.

Bluetooth

Esta ferramenta está equipada com a tecnologia de baixa energia Bluetooth® e pode ser conectada a um aplicativo a partir do qual é possível acessar funcionalidades adicionais da ferramenta. Para obter mais informações sobre a funcionalidade do aplicativo e se o mesmo se encontra disponível em seu país, navegue até www.mirka.com/mymirka

Ative o Bluetooth em seu Mirka® DEOS da seguinte maneira:

1. Conecte o cabo de alimentação à tomada da rede elétrica.
2. Manter premido o botão Speed+, ao mesmo tempo que liga a ferramenta no botão On/Off.
3. O LED esquerdo acende (verde) para indicar que o Bluetooth está ativo.
4. O Bluetooth é desativado quando a ferramenta é desligada da tomada elétrica.

OBSERVAÇÃO! O Bluetooth não ativa se não tem a aplicação instalada ou se não está disponível no seu país.

A marca e os logotipos da palavra Bluetooth® são marcas comerciais registradas de propriedade da Bluetooth SIG, Inc., e qualquer uso de tais marcas pela Mirka Ltd é sob licença. Outras marcas comerciais e nomes comerciais são aqueles dos seus respectivos proprietários.

RSS sem licença das Regras FCC e Industry Canada

A conformidade com os regulamentos de rádio na América do Norte foi verificada de acordo com as normas FCC, secção 15, subsecção B e C, RSS-GEN, RSS-247 e FCC §15.247. A operação está sujeita às duas condições seguintes:

1. Este equipamento não pode causar interferências prejudiciais.
2. Este equipamento tem de aceitar qualquer interferência recebida, incluindo uma interferência que possa causar um uncionamento indesejado.

OBSERVAÇÃO! este equipamento foi testado e foi determinado estar em conformidade com os limites para aparelhos digitais da classe B, conforme a secção 15 das Regras FCC. Estes limites foram concebidos para oferecer uma proteção razoável contra interferências prejudiciais em instalações residenciais. Esta equipamento gera, usa e pode irradiar energia de frequências rádio, que se não for instalado ou usado de acordo com as instruções, pode causar interferências prejudiciais para as comunicações por rádio.

Porém, não há garantias de que não ocorrerão interferências em uma instalação específica. Se esse equipamento provocar interferências prejudiciais à recepção de rádio ou TV, o que pode ser determinado desligando e voltando a ligar o equipamento, o usuário deve tentar corrigir a interferência por meio de uma ou mais das medidas a seguir:

- Reorientar ou reposicionar a antena receptora.
- Aumentar a separação entre o equipamento e o receptor.
- Conectar o equipamento a uma tomada em um circuito diferente daquele ao qual o receptor está conectado.
- Consultar o revendedor ou um técnico de rádio/TV experiente para obter ajuda.

AVISO AO USUÁRIO: alterações ou modificações não aprovadas expressamente pela parte responsável pela conformidade podem anular a autoridade de o usuário operar o equipamento.

Manutenção



Sempre desconecte da alimentação antes de efetuar manutenção!
Utilize apenas peças sobressalentes originais Mirka!

Substituição do suporte de apoio

A = 8 mm (apenas em 70 × 198 mm)

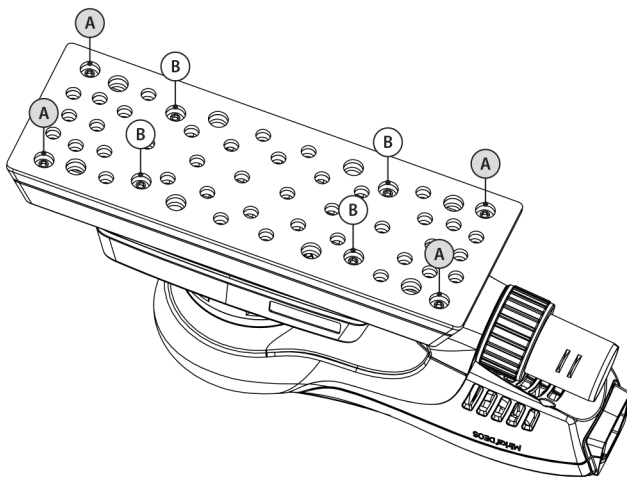
B = 16 mm

Remoção

1. Vire a ferramenta de cabeça para baixo.
2. Remova os 4 parafusos (A).
3. Remova os 4 parafusos (B).
4. Remova o suporte de apoio.

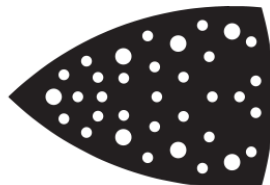
Instalação

1. Instale o novo apoio.
2. Encaixe os 4 parafusos (B).
3. Encaixe os 4 parafusos (A).
4. Então, aperte todos os parafusos.



Protetor de suporte

Os protetores de suporte da Mirka destinam-se a proteger o suporte de apoio contra desgaste e rasgamento quando se lixa de forma agressiva e contínua com produtos em tela. Esses protetores de suporte com custo acessível, colocados entre o suporte de apoio e o disco de lixamento, devem ser trocados regularmente. Os protetores de suporte prolongam a vida útil do suporte de apoio.



<https://www.mirka.com/accessories/pad-savers/>



Manutenção adicional

A manutenção sempre deve ser efetuada por pessoal treinado. Para manter a garantia da ferramenta em vigor e assegurar a segurança e funcionamento ideais da mesma, a manutenção sempre deve ser efetuada por um centro de serviço autorizado da Mirka. Para localizar o seu centro de serviço autorizado da Mirka, entre em contato com a central de atendimento da Mirka ou com o seu revendedor autorizado Mirka.

Guia de solução de problemas

Sintoma	Possível causa	Solução
O LED (direito) da lixadeira pisca entre vermelho e verde.	Conectada a uma tomada elétrica com a tensão errada.	Conecte a lixadeira a uma tomada elétrica que corresponda à tensão nominal da ferramenta.
O LED (direito) da lixadeira não acende ao ligar.	O cabo de alimentação não está conectado adequadamente à lixadeira ou à tomada elétrica.	Conecte-o corretamente.
O LED (direito) da lixadeira está vermelho e a ferramenta diminui para 5.000 rpm ao lixar.	A temperatura da lixadeira está muito alta. Carga muito pesada por muito tempo.	Reduza a carga da lixadeira por alguns momentos e ela deverá acelerar novamente.
O LED (direito) da lixadeira está vermelho e a RPM foi levemente reduzida.	Carga muito pesada por pouco tempo.	Utilize uma carga mais leve e o LED (direito) ficará verde automaticamente.
A vedação do travão não está a funcionar. (Não aplicável para DEOS 343)	Vedação do freio gasta ou mancal do eixo danificado.	Inspeccione e substitua a vedação do freio ou o mancal do eixo se necessário.
A lixadeira parou e o LED (direito) está vermelho.	A ferramenta está em modo de segurança devido à alta temperatura.	Aguarde até que a ferramenta tenha resfriado.

Informações sobre o descarte

PERIGO



Remover o fio elétrico de ferramentas redundantes para que sejam inutilizáveis.

Cumprir os regulamentos nacionais específicos sobre a eliminação e reciclagem de máquinas, embalagens e acessórios fora de uso.

Apenas para a UE: Não descartar ferramentas elétricas nos resíduos domésticos. De acordo com as diretivas europeias sobre resíduos de equipamentos elétricos e eletrônicos e a sua implementação na legislação nacional, as ferramentas elétricas em fim de vida devem ser recolhidas separadamente e entregues a uma estação de reciclagem ecológica compatível.

Para mais informações sobre REACH, RoHS e a nossa responsabilidade social de empresa, aceder a www.mirka.com

Declaration of conformity

<p>Mirka Ltd, 66850 Jeppo, Finland</p> <p>declare under our sole responsibility that the Mirka® products (listed below and see "Technical data" table for particular model) to which this declaration relates are in conformity with the following standards or other normative documents: EN 62841-1:2015, EN 62841-2-4:2014, EN 55014-1:2006/A2:2011 EN 55014-2:2015, EN 61000-3-2:2014, EN 61000-3-3:2013, EN 300 328 V2.2.2, EN 301 489-1 V2.1.1, EN 301 489-17 V3.1.1, EN IEC 63000:2018 in accordance with regulations Supply of Machinery (Safety) Regulations 2008, The Restriction of the Use of Certain Hazardous Substances in Electrical and Electronic Equipment Regulations 2012 & Radio Equipment Regulations 2017.</p>		
<p>Products: Mirka® DEOS 343X, 353X, 383X & 663X</p>		
<p><i>Jeppo 26.08.2021</i> Place and date of issue</p>	 Company	 Stefan Sjöberg, CEO
<p>Manufacturer / Supplier Mirka Ltd 66850 Jeppo, Finland Tel. +358 20 760 2111 Fax +358 20 760 2290 www.mirka.com</p>	<p>Importer Information Mirka (UK) Ltd Saxon House Shirwell Crescent Furztown Lake Milton Keynes MK4 1GA Tel. +44 (0)1908 866100</p>	

This chapter is an addition to the English language chapter of the manual in order to fulfill the UKCA regulation requirements. Please refer to the English language chapter for more information about your product.

MIRKA



Mirka Ltd
Finland

Brazil Mirka Brasil Ltda.

Belgium Mirka Belgium Logistics NV

Canada Mirka Canada Inc.

China Mirka Trading Shanghai Co., Ltd

Finland & Baltics Mirka Ltd

France Mirka France Sarl

Germany Mirka GmbH

India Mirka India Pvt Ltd

Italy Mirka Italia s.r.l., Cafro S.p.A.

Mexico Mirka Mexicana S.A. de C.V.

Russia Mirka Rus LLC

Singapore Mirka Asia Pacific Pte Ltd

Spain Mirka Ibérica S.A.U.

Sweden Mirka Scandinavia AB

Turkey Mirka Turkey Zimpara Ltd Şirketi

United Kingdom Mirka (UK) Ltd

United Arab Emirates Mirka Middle East FZCO

USA Mirka USA Inc.

For contact information,
please visit www.mirka.com



Dedicated to the finish